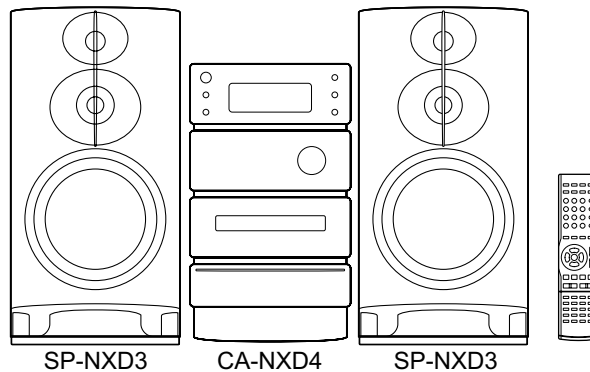


JVC

SERVICE MANUAL

COMPACT COMPONENT SYSTEM

NX-D4B, NX-D4E, NX-D4A



Lead free solder used in the board (material : Sn-Ag-Cu, melting point : 219 Centigrade)

Lead free solder used in the board (material : Sn-Cu, melting point : 230 Centigrade)

TABLE OF CONTENTS

1	PRECAUTION.....	1-4
2	SPECIFIC SERVICE INSTRUCTIONS.....	1-7
3	DISASSEMBLY.....	1-7
4	ADJUSTMENT.....	1-16
5	TROUBLESHOOTING.....	1-17

SPECIFICATION

NX-D4 for Europe

NX-D4 for Europe		
Amplifier section		
Output Power	230 W (115 W + 115 W) at 3 Ω (10% THD)	
Audio Input	AUDIO IN	Stereo mini (Ø 3.5 mm)
		500 mV/47 kΩ (at "AUDIO LVL3")
		250 mV/47 kΩ (at "AUDIO LVL2")
		125 mV/47 kΩ (at "AUDIO LVL1")
Digital Input/Output	OPTICAL DIGITAL OUTPUT (output only)	-21 dBm to -15 dBm (660 nm ± 30 nm)
USB REC/PLAY (input and output)		
VIDEO OUT	Color system	PAL/NTSC (interlaced/progressive)
	VIDEO (Composite)	1 V(p-p)/75 Ω
	COMPONENT	(Y) 1 V(p-p)/75 Ω
		(PB/PR) 0.7 V(p-p)/75 Ω
Speaker impedance	3 Ω - 16 Ω	
Tuner section		
FM tuning range	87.50 MHz - 108.00 MHz	
AM (MW) tuning range	522 kHz - 1 629 kHz	
Disc player section		
Dynamic range	80 dB	
Horizontal resolution	500 lines	
Wow and flutter	Immeasurable	
iPod section		
Power supply	DC 5 V 500 mA (each iPod dock)	
USB section		
USB specification	Compatible with USB 2.0 Full Speed	
Compatible device	Mass storage class	
Compatible system	FAT16, FAT32	
Output power	DC 5 V 500 mA	
General		
Power requirements	AC 230 V , 50 Hz	
Power consumption	90 W (at operation)	
	1.00 W or less (at standby)	
Dimensions (approx.)	195 mm × 333 mm × 313 mm (W × H × D)	
Mass (approx.)	3.6 kg	
System Speaker-SP-NXD3		
Type	3-way 3-speaker Bass Reflex Type (Magnetically-Shielded Type)	
Speaker units	Tweeter	2.0 cm cone × 1
	Mid Range	5.0 cm cone × 1
	Woofers	16.0 cm cone × 1
Impedance	3 Ω	
Power handling capacity	115 W	
Frequency range	40 Hz - 20 000 Hz	
Sound pressure level	84 dB/W·m	
Dimensions	205 mm × 409.5 mm × 290.5 mm (W × H × D)	
Mass	3.6 kg each	

NX-D4 for A		
Amplifier section		
Output Power		230 W (115 W + 115 W) at 3 Ω (10% THD)
Audio Input	AUDIO IN	Stereo mini (Ø 3.5 mm)
		500 mV/47 kΩ (at “AUDIO LVL3”)
		250 mV/47 kΩ (at “AUDIO LVL2”)
		125 mV/47 kΩ (at “AUDIO LVL1”)
Digital Input/Output	OPTICAL DIGITAL OUTPUT (output only)	-21 dBm to -15 dBm (660 nm ± 30 nm)
USB REC/PLAY (input and output)		
VIDEO OUT	Color system	PAL/NTSC (interlaced/progressive)
	VIDEO (Composite)	1 V(p-p)/75 Ω
	COMPONENT	(Y) 1 V(p-p)/75 Ω
		(PB/PR) 0.7 V(p-p)/75 Ω
Speaker impedance		3 Ω - 16 Ω
Tuner section		
FM tuning range		87.50 MHz - 108.00 MHz
AM (MW) tuning range		522 kHz - 1 629 kHz
Disc player section		
Dynamic range		80 dB
Horizontal resolution		500 lines
Wow and flutter		Immeasurable
iPod section		
Power supply		DC 5 V 500 mA (each iPod dock)
USB section		
USB specification		Compatible with USB 2.0 Full Speed
Compatible device		Mass storage class
Compatible system		FAT16, FAT32
Output power		DC 5 V 500 mA
General		
Power requirements		AC 240 V , 50 Hz
Power consumption		90 W (at operation)
		16 W or less (at standby)
		1 W or less (at ECO mode)
Dimensions (approx.)		195 mm × 333 mm × 313 mm (W × H × D)
Mass (approx.)		3.6 kg
System Speaker-SP-NXD3		
Type		3-way 3-speaker Bass Reflex Type (Magnetically-Shielded Type)
Speaker units	Tweeter	2.0 cm cone × 1
	Mid Range	5.0 cm cone × 1
	Woofer	16.0 cm cone × 1
Impedance		3 Ω
Power handling capacity		115 W
Frequency range		40 Hz - 20 000 Hz
Sound pressure level		84 dB/W·m
Dimensions		205 mm × 409.5 mm × 290.5 mm (W × H × D)
Mass		3.6 kg each

SECTION 1 PRECAUTION

1.1 Safety Precautions

- (1) This design of this product contains special hardware and many circuits and components specially for safety purposes. For continued protection, no changes should be made to the original design unless authorized in writing by the manufacturer. Replacement parts must be identical to those used in the original circuits. Services should be performed by qualified personnel only.
- (2) Alterations of the design or circuitry of the product should not be made. Any design alterations of the product should not be made. Any design alterations or additions will void the manufacturer's warranty and will further relieve the manufacturer of responsibility for personal injury or property damage resulting therefrom.
- (3) Many electrical and mechanical parts in the products have special safety-related characteristics. These characteristics are often not evident from visual inspection nor can the protection afforded by them necessarily be obtained by using replacement components rated for higher voltage, wattage, etc. Replacement parts which have these special safety characteristics are identified in the Parts List of Service Manual. Electrical components having such features are identified by shading on the schematics and by (Δ) on the Parts List in the Service Manual. The use of a substitute replacement which does not have the same safety characteristics as the recommended replacement parts shown in the Parts List of Service Manual may create shock, fire, or other hazards.
- (4) The leads in the products are routed and dressed with ties, clamps, tubings, barriers and the like to be separated from live parts, high temperature parts, moving parts and/or sharp edges for the prevention of electric shock and fire hazard. When service is required, the original lead routing and dress should be observed, and it should be confirmed that they have been returned to normal, after reassembling.

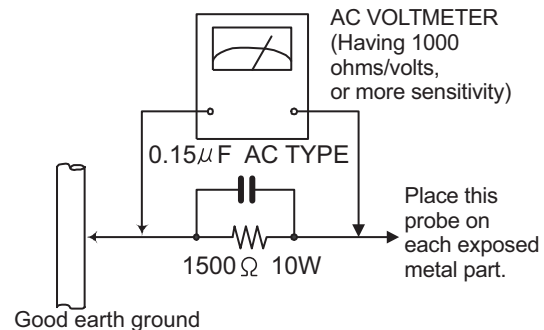
(5) Leakage shock hazard testing

After reassembling the product, always perform an isolation check on the exposed metal parts of the product (antenna terminals, knobs, metal cabinet, screw heads, headphone jack, control shafts, etc.) to be sure the product is safe to operate without danger of electrical shock. Do not use a line isolation transformer during this check.

- Plug the AC line cord directly into the AC outlet. Using a "Leakage Current Tester", measure the leakage current from each exposed metal part of the cabinet, particularly any exposed metal part having a return path to the chassis, to a known good earth ground. Any leakage current must not exceed 0.5mA AC (r.m.s.).
- Alternate check method
Plug the AC line cord directly into the AC outlet. Use an AC voltmeter having, 1,000 Ω per volt or more sensitivity in the following manner. Connect a 1,500 Ω 10W resistor paralleled by a 0.15 μ F AC-type capacitor between an exposed metal part and a known good earth ground. Measure the AC voltage across the resistor with the AC

voltmeter.

Move the resistor connection to each exposed metal part, particularly any exposed metal part having a return path to the chassis, and measure the AC voltage across the resistor. Now, reverse the plug in the AC outlet and repeat each measurement. Voltage measured any must not exceed 0.75 V AC (r.m.s.). This corresponds to 0.5 mA AC (r.m.s.).



1.2 Warning

- (1) This equipment has been designed and manufactured to meet international safety standards.
- (2) It is the legal responsibility of the repairer to ensure that these safety standards are maintained.
- (3) Repairs must be made in accordance with the relevant safety standards.
- (4) It is essential that safety critical components are replaced by approved parts.
- (5) If mains voltage selector is provided, check setting for local voltage.

1.3 Caution

Burrs formed during molding may be left over on some parts of the chassis.

Therefore, pay attention to such burrs in the case of pre-forming repair of this system.

1.4 Critical parts for safety

In regard with component parts appearing on the silk-screen printed side (parts side) of the PWB diagrams, the parts that are printed over with black such as the resistor (■), diode (■) and ICP (●) or identified by the " Δ " mark nearby are critical for safety. When replacing them, be sure to use the parts of the same type and rating as specified by the manufacturer. (This regulation does not Except the J and C version)

1.5 Preventing static electricity

Electrostatic discharge (ESD), which occurs when static electricity stored in the body, fabric, etc. is discharged, can destroy the laser diode in the traverse unit (optical pickup). Take care to prevent this when performing repairs.

1.5.1 Grounding to prevent damage by static electricity

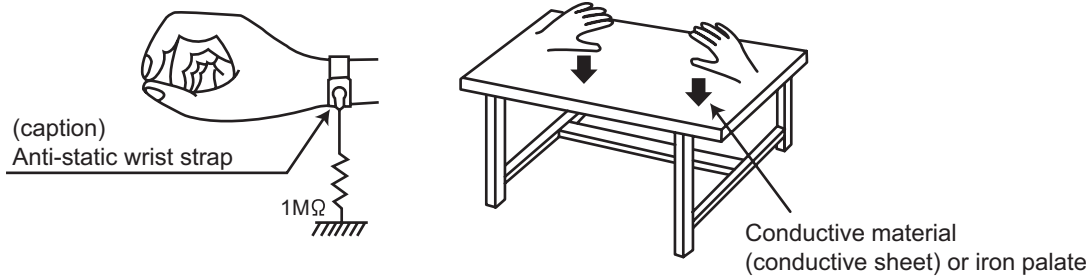
Static electricity in the work area can destroy the optical pickup (laser diode) in devices such as laser products. Be careful to use proper grounding in the area where repairs are being performed.

(1) Ground the workbench

Ground the workbench by laying conductive material (such as a conductive sheet) or an iron plate over it before placing the traverse unit (optical pickup) on it.

(2) Ground yourself

Use an anti-static wrist strap to release any static electricity built up in your body.



(3) Handling the optical pickup

- In order to maintain quality during transport and before installation, both sides of the laser diode on the replacement optical pickup are shorted. After replacement, return the shorted parts to their original condition. (Refer to the text.)
- Do not use a tester to check the condition of the laser diode in the optical pickup. The tester's internal power source can easily destroy the laser diode.

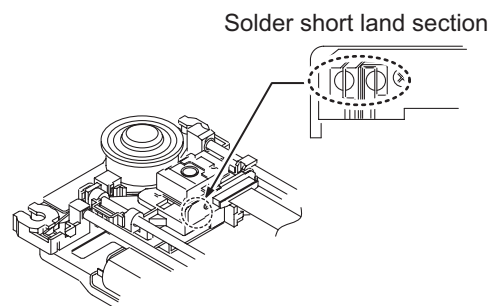
1.6 Handling the traverse unit (optical pickup)

- (1) Do not subject the traverse unit (optical pickup) to strong shocks, as it is a sensitive, complex unit.
- (2) Cut off the shorted part of the flexible cable using nippers, etc. after replacing the optical pickup. For specific details, refer to the replacement procedure in the text. Remove the anti-static pin when replacing the traverse unit. Be careful not to take too long a time when attaching it to the connector.
- (3) Handle the flexible cable carefully as it may break when subjected to strong force.
- (4) It is not possible to adjust the semi-fixed resistor that adjusts the laser power. Do not turn it.

1.7 Attention when traverse unit is decomposed

***Please refer to "Disassembly method" in the text for the pickup unit.**

- Apply solder to the short land sections before the card wire is disconnected from the connector on the servo board. (If the card wire is disconnected without applying solder, the pickup may be destroyed by static electricity.)
- In the assembly, be sure to remove solder from the short land sections after connecting the card wire.



1.8 Important for laser products

1.CLASS 1 LASER PRODUCT

2.CAUTION :

(For U.S.A.) Visible and/or invisible class II laser radiation when open. Do not stare into beam.

(Others) Visible and/or invisible class 1M laser radiation when open. Do not view directly with optical instruments.

3.CAUTION : Visible and/or invisible laser radiation when open and inter lock failed or defeated. Avoid direct exposure to beam.

4.CAUTION : This laser product uses visible and/or invisible laser radiation and is equipped with safety switches which prevent emission of radiation when the drawer is open and the safety interlocks have failed or are defeated. It is dangerous to defeat the safety switches.

(For U.S.A.)

CAUTION : Visible and/or invisible class II laser radiation when open. Do not stare into beam.

(Others)

CAUTION : Visible and/or invisible class 1M laser radiation when open. Do not view directly with optical instruments

ACHTUNG : Sichtbare und/oder unsichtbare Laserstrahlung der Klasse 1M bei offenen Abdeckungen. Nicht direkt mit optischen Instrumenten betrachten.

ATTENTION : Rayonnement laser visible et/ou invisible de classe 1M une fois ouvert. Ne pas regarder directement avec des instruments optiques.

VOORZICHTIG : Zichtbare en/of onzichtbare klasse 1M laserstralen indien geopend. Bekijk niet direct met optische instrumenten.

ATTENZIONE : Radiazione laser in classe 1M visibile e/o invisibile quando aperto. Non osservare direttamente con strumenti ottici.

WARNING : Synlig och/eller osynlig laserstrålning, klass 1M, när denna del är öppnad. Betrakta ej strålen med optiska instrument.

VARO! Avattaessa olet alttiina nakyyvalle ja/tai näkymättömälle luokan 1M lasersäteilylle. Älä tarkastele sitä optisen laitteen läpi.

ADVASEL : Synlig og/eller usynlig klasse 1M-laserstråling ved åbning. Se ikke direkte med optiske instrumenter.

AVISO : Radiación láser de clase 1M visible y/o invisible cuando está abierto. No mirar directamente con instrumental óptico.

PRECAUÇÃO : Radiação laser de classe 1M visível e/ou invisível quando aberto. Não olhe diretamente com instrumentos ópticos.

5.CAUTION : If safety switches malfunction, the laser is able to function.

6.CAUTION : Use of controls, adjustments or performance of procedures other than those specified here in may result in hazardous radiation exposure.



CAUTION Please use enough caution not to see the beam directly or touch it in case of an adjustment or operation check.

PRECAUÇÃO: Radiação laser de classe 1M visível e/ou invisível quando aberto. Não olhe diretamente com instrumentos ópticos.

ПРЕДУПРЕЖДЕНИЕ: В открытом состоянии происходит видимое и/или невидимое излучение лазера класса 1M. Не смотрите непосредственно в оптические инструменты.

UWAGA: Otwarcie spowoduje narażenie na widzialne i/lub niewidzialne promieniowanie lasera klasy 1M. Nie patrzeć bezpośrednio w przyrządy optyczne.

UPOZORNĚNÍ: Při otevření vydává viditelné popř. neviditelné laserové ozáření třídy 1M. Nedívejte se do otvoru přímo s optickými nástroji.

FIGYELMEZTETÉS: Látható és/vagy láthatatlan 1M osztályú sugárzás nyitott állapotban. Ne nézze közvetlenül optikai műszerekkel.

注意：打開蓋板可能會產生可見或不可見的 1M 級鐳射。不要使用光學儀器直接進行窺視。

注意：打开盖板可能会产生可见或不可见的 1M 级辐射。不要使用光学仪器直接进行窥视。

تنبيه: يوجد إشعاع ليزري مرئي و/أو غير مرئي من الفئة 1M عندما يكون الجهاز مفتوحاً. تجنب النظر مباشرة داخل الجهاز باستخدام أدوات بصرية.

احتياط: هنگامی که باز گردد، تشعشع مرئی و یا نامرئی کلاس 1M لیزر وجود دارد. با لوازم چشمی مستقیماً به آن نگاه نکنید.

주의: 개방하면 가지 및/또는 비가지 클래스 1M 레이저 방사선이 나옵니다. 광학 기구로 직접 들여다보지 마십시오.

REPRODUCTION AND POSITION OF LABELS and PRINT WARNING LABEL and PRINT



CAUTION VISIBLE AND/OR INVISIBLE CLASS 1M LASER RADIATION WHEN OPEN. DO NOT VIEW DIRECTLY WITH OPTICAL INSTRUMENTS. IEC80825-1:2001 (ENG)	ATTENTION RAYONNEMENT LASER VISIBLE ET/OU INVISIBLE DE CLASSE 1M UNE FOIS OUVERT. NE PAS REGARDER DIRECTEMENT AVEC DES INSTRUMENTS OPTIQUES. (FRA)	AVISO RADIACIÓN LASER DE CLASE 1M VISIBLE Y/O INVISIBLE CUANDO ESTA ABIERTO. NO MIRAR DIRECTAMENTE CON INSTRUMENTAL OPTICO. (ESP)	WARNING SYNLIG OCH/ELLER OSYNLIG LASERSTRÅLNING, KLASS 1M, NÄR DENNA DEL ÄR ÖPPNAD. BETRAKTA EJ STRÅLEN MED OPTISKA INSTRUMENT. (SWE)	注意 この製品は不可視 及び/または不可視 のクラス1M レーザー放射が 出ます。 光学装置で直接 見ないでください。 (JPN)	CAUTION VISIBLE AND/OR INVISIBLE CLASS II LASER RADIATION WHEN OPEN. DO NOT STARE INTO BEAM. FDA 21 CFR (ENG) LV44603-003A
--	--	---	---	--	---

CAUTION VISIBLE AND/OR INVISIBLE CLASS 1M LASER RADIATION WHEN OPEN. DO NOT VIEW DIRECTLY WITH OPTICAL INSTRUMENTS. IEC80825-1:2001 (ENG)

ATTENTION RAYONNEMENT LASER VISIBLE ET/OU INVISIBLE DE CLASSE 1M UNE FOIS OUVERT. NE PAS REGARDER DIRECTEMENT AVEC DES INSTRUMENTS OPTIQUES. (FRA)

AVISO RADIACIÓN LASER DE CLASE 1M VISIBLE Y/O INVISIBLE CUANDO ESTA ABIERTO. NO MIRAR DIRECTAMENTE CON INSTRUMENTAL OPTICO. (ESP)

WARNING SYNLIG OCH/ELLER OSYNLIG LASERSTRÅLNING, KLASS 1M, NÄR DENNA DEL ÄR ÖPPNAD. BETRAKTA EJ STRÅLEN MED OPTISKA INSTRUMENT. (SWE)
注意 この製品は不可視及び/または不可視のクラス1Mレーザー放射が出ます。光学装置で直接見ないでください。(JPN)

CAUTION VISIBLE AND/OR INVISIBLE CLASS II LASER RADIATION WHEN OPEN. DO NOT STARE INTO BEAM. FDA 21 CFR (ENG)
LV44603-004A

SECTION 2 SPECIFIC SERVICE INSTRUCTIONS

This service manual does not describe SPECIFIC SERVICE INSTRUCTIONS.

SECTION 3 DISASSEMBLY

3.1 Main body (Used figure were NX-D4E)

3.1.1 Removing the Top cover (See Fig.1, 2, 3, 4)

- (1) Remove the six screws **A** attaching the both Side panel.
(See Fig.1)

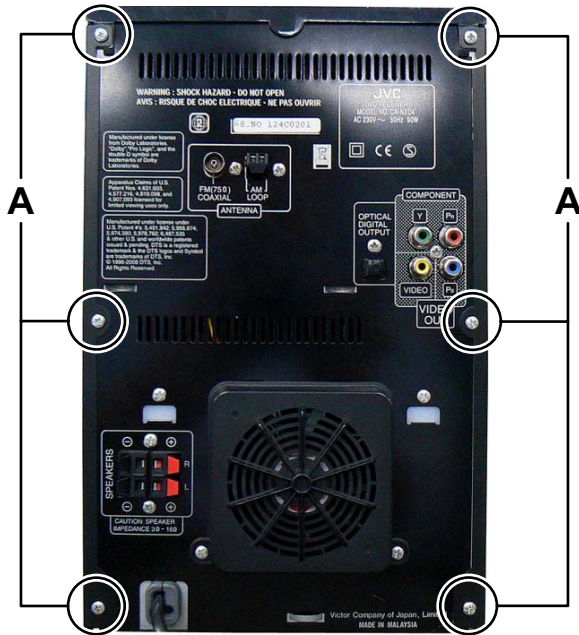


Fig.1

- (2) Remove the six screws **B** attaching the both Side panel.
(See Fig.2)

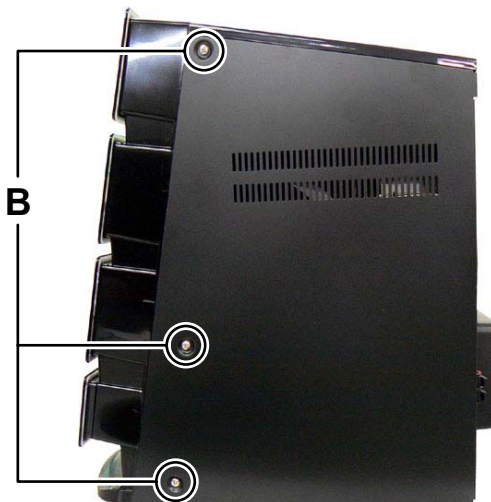


Fig.2

- (3) Disconnect the card wire from iPod board connected to connector **CN400** of the Main board. (See Fig.3)
(4) Disengage two hooks **a** engaged both side of the Top cover. (See Fig.3)

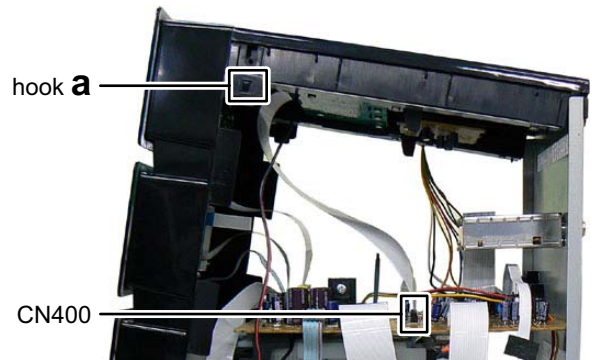


Fig.3

- (5) Disconnect the connector wire from Main board connected to connector **CN401** of the iPod switch board. (See Fig.4)

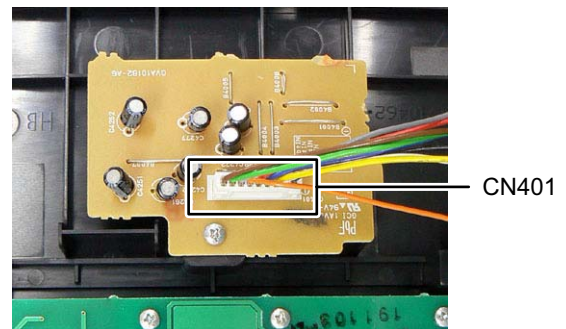


Fig.4

3.1.2 Removing the Rear panel (See Fig.5, 6)

- (1) Disconnect the connector wire from FAN connected to connector **CN303** of the Main board. (See Fig.5)
- (2) Disconnect the card wire from Tuner pack connected to connector **CN306** of the Main board. (See Fig.5)

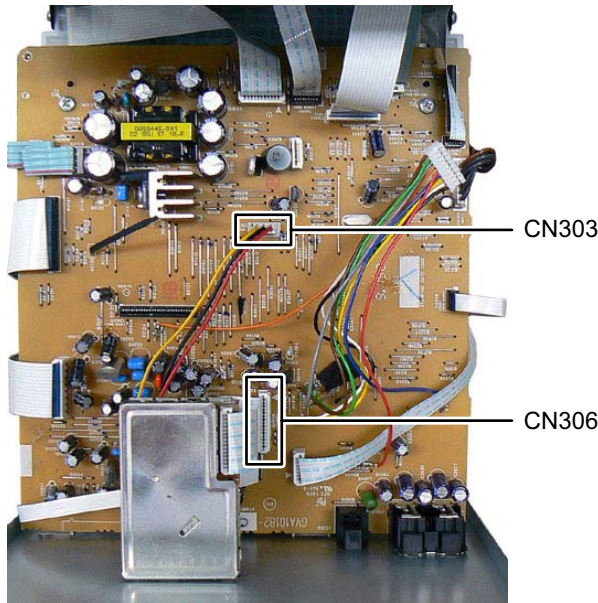


Fig.5

- (3) Remove the six screws **C** attaching the Rear panel. (See Fig.6)

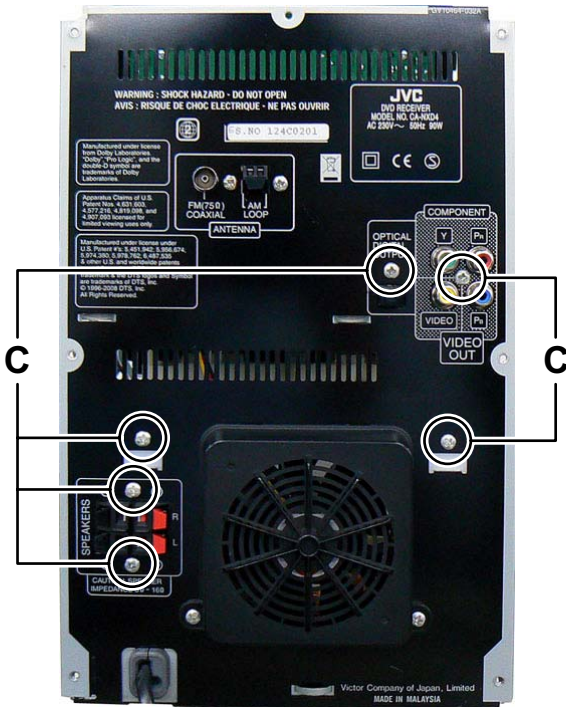


Fig.6

3.1.3 Removing the Main board (See Fig.7)

- (1) Disconnect the card wire from Front panel connected to connectors **CN301**, **CN312** of the Main board.
- (2) Disconnect the parallel wire from Front panel connected to connector **CN315** of the Main board.
- (3) Disconnect the card wire from Loader board connected to connector **CN307** of the Main board.
- (4) Disconnect the connector wire from Power board connected to connector **CN180** of the Main board.
- (5) Disconnect the card wire from DVD mechanism connected to connector **CN309** of the Main board.
- (6) Disconnect the card wire from USB board connected to connector **CN502** of the Main board.
- (7) Disconnect the card wire from DVD board connected to connector **CN500** of the Main board.
- (8) Disconnect the card wire from Amp board connected to connector **CN503** of the Main board.
- (9) Disconnect the card wire from DVD board connected to connector **CN310** of the Main board.
- (10) Disconnect the parallel wire from Amp board connected to connector **CN181** of the Main board.
- (11) Disconnect the card wire from the Mic board connected to connector **CN304** of the Main board.
- (12) Remove the two screws **D** attaching the Main board.

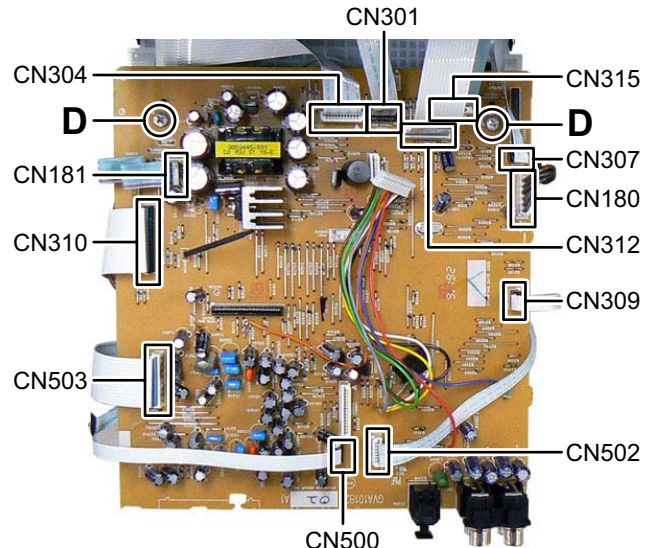


Fig.7

3.1.4 Removing the DVD mechanism (See Fig.8)

- (1) Disconnect the connector wire from USB board connected to connector **CN811** of the DVD board.
- (2) Remove the two screws **E** attaching the both side of the DVD mechanism.
- (3) Disengage two hooks **b** engaged both side of the DVD mechanism.

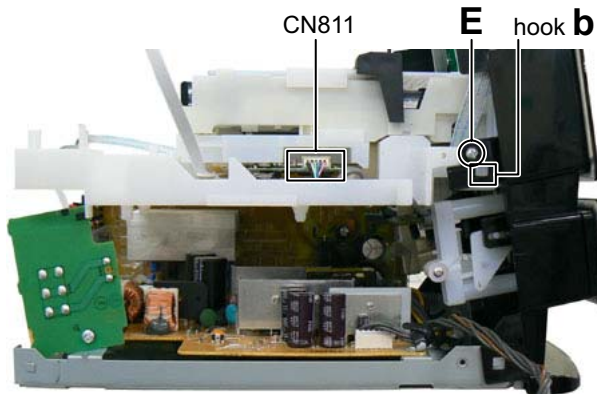


Fig.8

3.1.5 Removing the Front panel (See Fig.9, 10)

- (1) Remove the three screws **F** attaching the Front panel. (See Fig.9)
- (2) Disengage one hook **c** engaged Front panel. (See Fig.9)

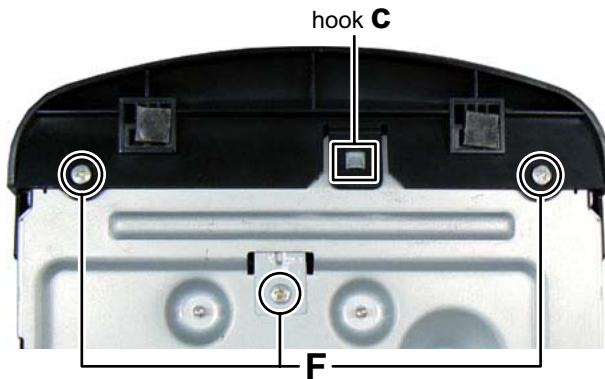


Fig.9

- (3) Disengage two hooks **d** engaged both side of the Front panel. (See Fig.10)

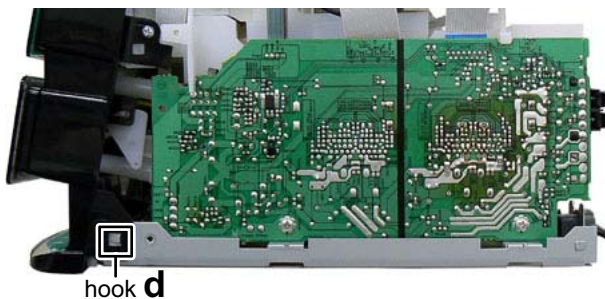


Fig.10

3.1.6 Removing the Amp board (See Fig.11)

- (1) Disconnect the connector wire from power board connected to connector **CN601** of the Amp board.
- (2) Remove the two screws **G** attaching the Amp board.

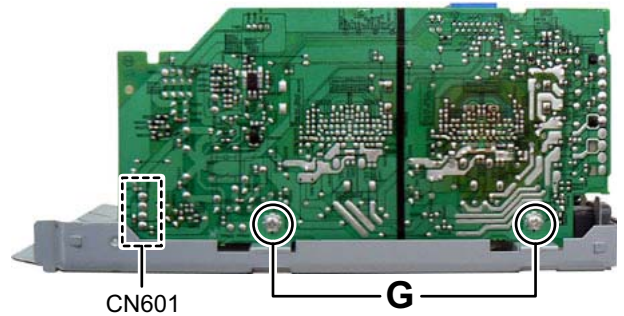


Fig.11

3.1.7 Removing the Power board (See Fig.12)

- (1) Remove the four screws **H** attaching the Power board.

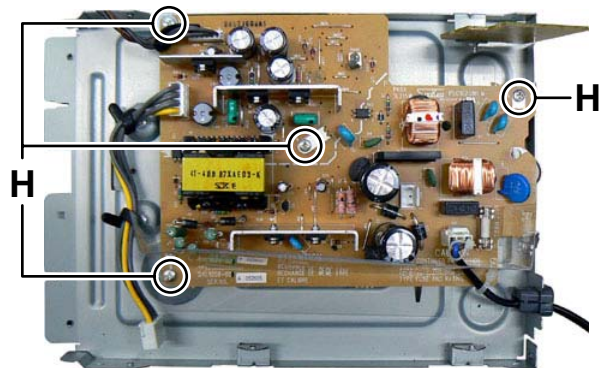


Fig.12

3.1.8 Removing the iPod board (See Fig.13)

- (1) Remove the six screws **J** attaching the iPod board.

3.1.9 Removing the iPod switch board (See Fig.13)

- (1) Remove the one screw **K** attaching the iPod switch board.

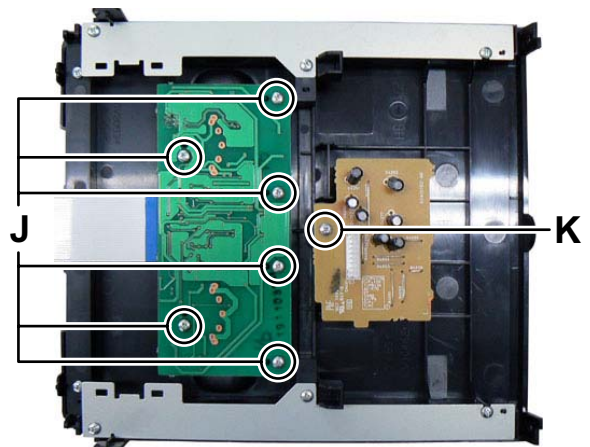


Fig.13

3.1.10 Removing the FL board (See Fig.14)

- (1) Remove the four screws **L** attaching the FL board.

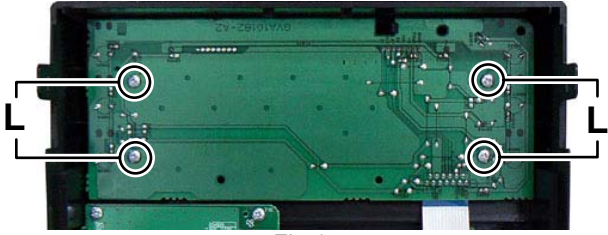


Fig.14

3.1.11 Removing the Touch sensor board (See Fig.15)

- (1) Remove the four screws **M** attaching the Volume board.
- (2) Remove the two screws **N** attaching the LED board.

CAUTION: The touch sensor board sticks to a Front lens.

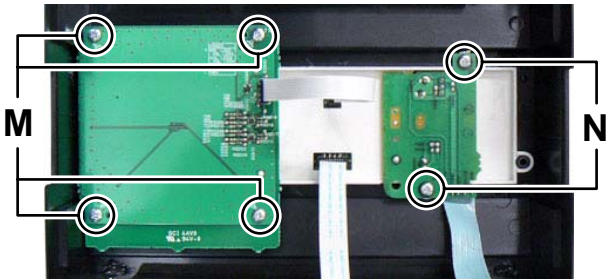


Fig.15

3.1.12 Removing the Mic board and USB board (See Fig.16)

- (1) Remove the two screws **P** attaching the Slide door.
- (2) Remove the four screws **Q** attaching the Slide arm.
- (3) Remove the four screws **R** attaching the Shaft holder.
- (4) Remove the seven screws **S** attaching the Mic board and USB board.

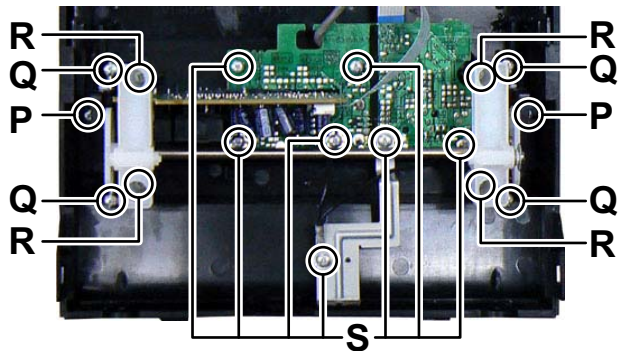


Fig.16

3.2 DVD mechanism

3.2.1 Removing the traverse mechanism

(See Fig.1 to 6)

- (1) Remove the two screws **A** attaching the tramecha holder from top side of DVD mechanism assembly. (See Fig.1)
- (2) Remove the two screws **B** attaching the DVD module board. (See Fig.2)
- (3) Remove the four screws **C** attaching the CB holder and take out it. (See Fig.3)
- (4) Remove the four screws **D** attaching the traverse mechanism. (See Fig.4)
- (5) Solder the solder part of DVD pickup up. (See Fig.5)
- (6) Disconnect the card wire from [CN101](#) and [CN201](#) on the DVD module board. (See Fig. 6)

Caution:

- Solder the short land section on the DVD pickup before disconnecting the card wire from the connector on the DVD pickup. If the card wire is disconnected without attaching solders, the pickup may be destroyed by static electricity.
- When attaching the DVD pickup, be sure to remove solders from the short land section after connecting the card wire to the connector on the DVD pickup.

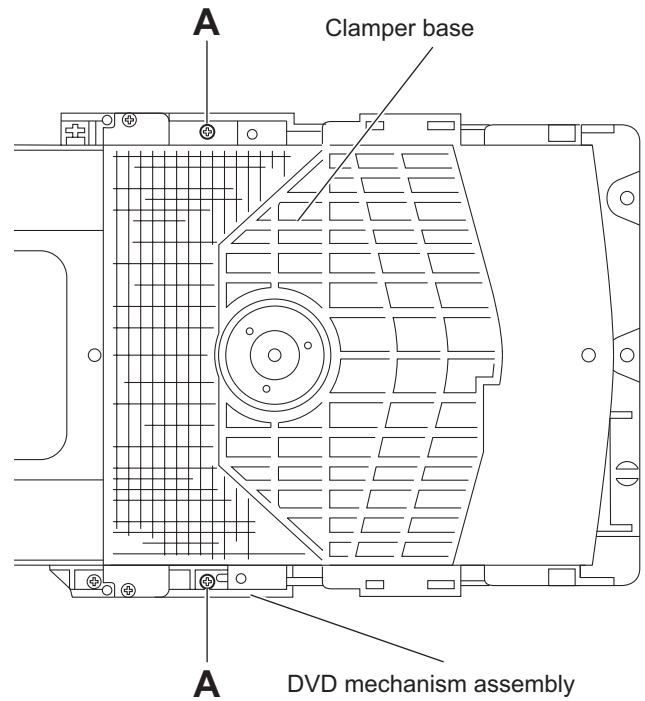


Fig.1

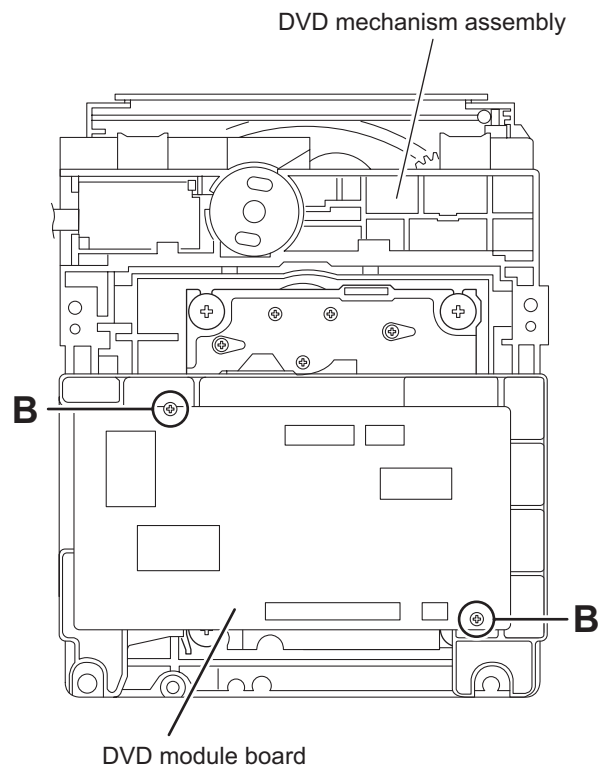


Fig.2

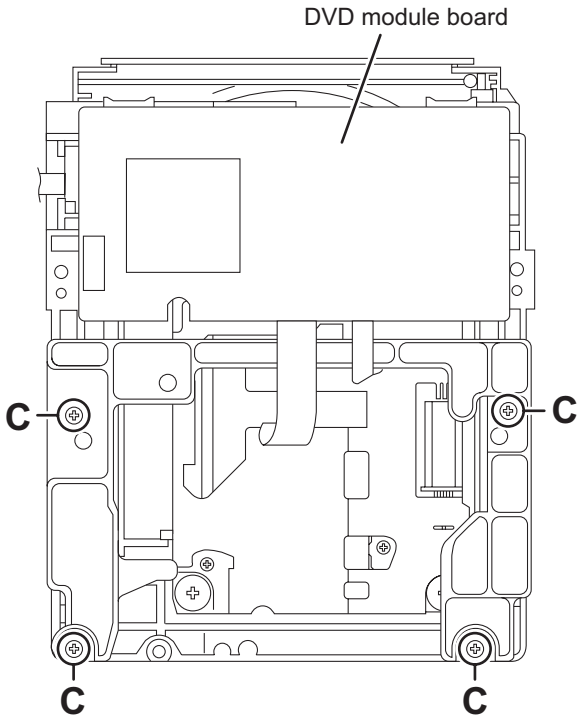


Fig.3

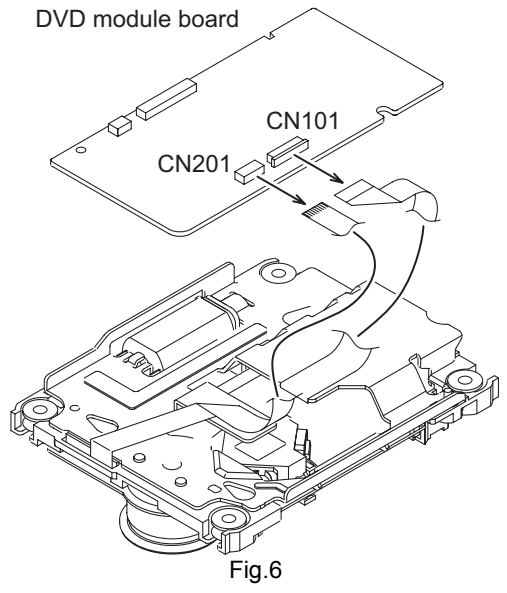


Fig.6

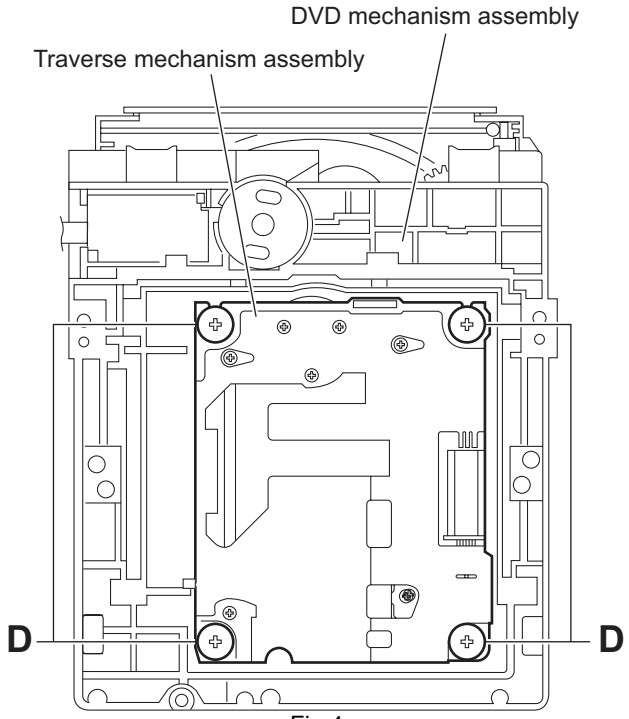


Fig.4

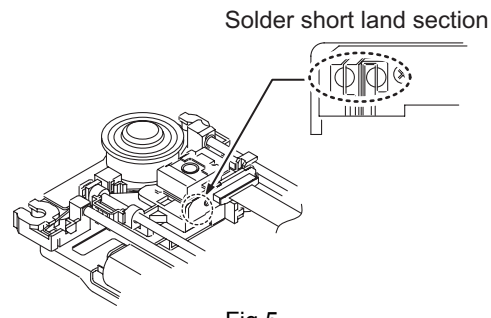


Fig.5

3.2.2 Removing the pickup assembly

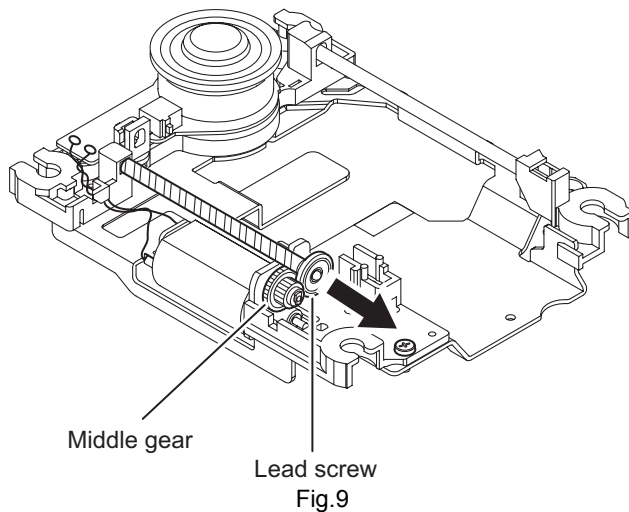
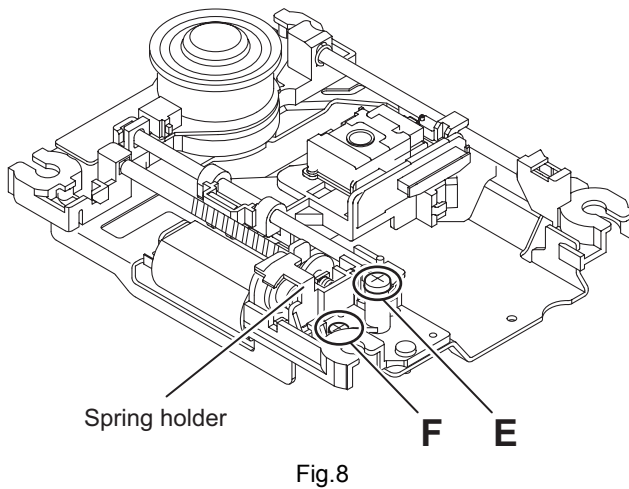
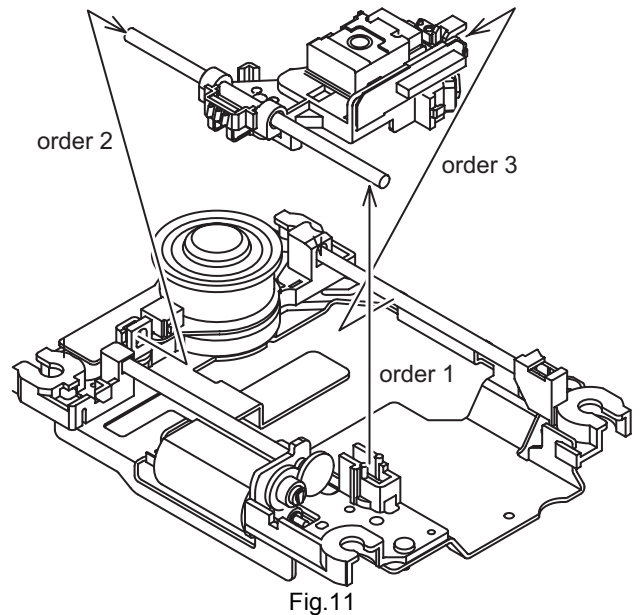
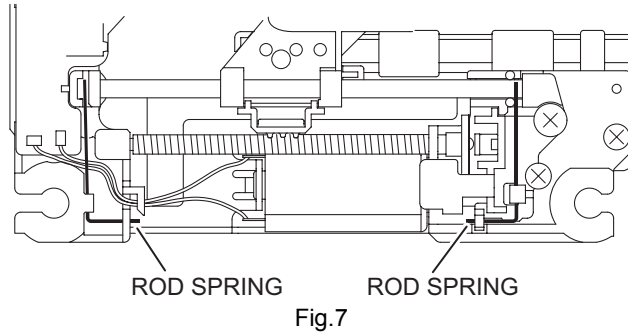
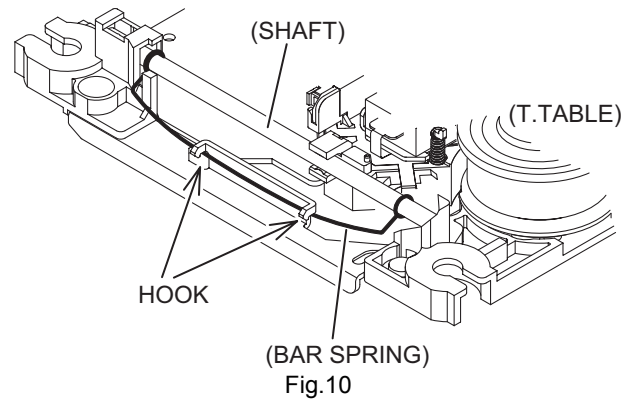
(See Fig.7 to 11)

- (1) Remove the two rod springs pressing the guide shaft. (See Fig.7)
- (2) Remove the screw **E** and **F** attaching the spring holder. (See Fig.8)
- (3) Remove the read screw from traverse mechanism assembly. (See Fig.9)

Caution:

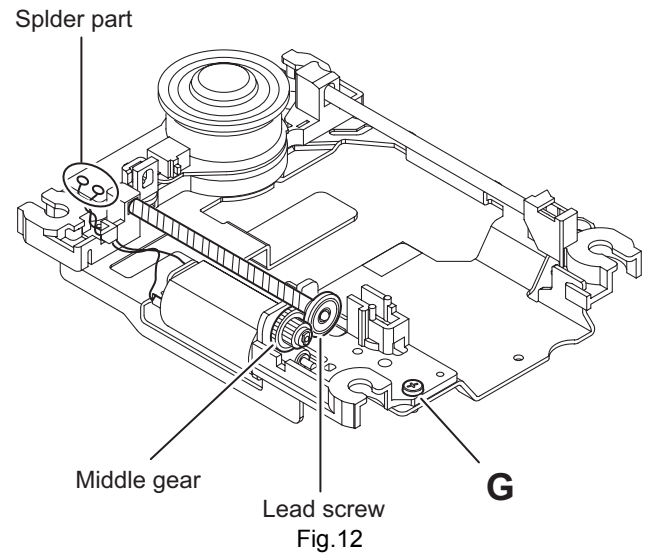
When remove the lead screw, do not loss the middle gear. (See Fig.10 and 11)

- (4) Remove the bar spring pressing the shaft. (See Fig.10)
- (5) Take out the pickup assembly from traverse mechanism chassis by order. (See Fig.11)



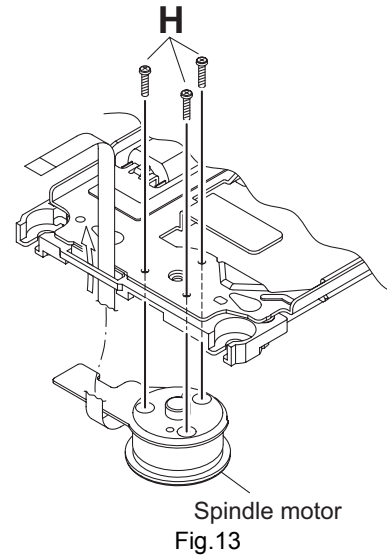
3.2.3 Removing the feed motor assembly (See Fig.12)

- (1) Remove the one screw **G** attaching the feed motor assembly.
- (2) Remove the feed motor wires from solder part of spindle motor board.



3.2.4 Removing the spindle motor assembly (See Fig.13)

- (1) Remove the three screws **H** attaching the spindle motor from spindle motor board.



3.2.5 Removing the tray assembly (See Fig.14 & 15)

- (1) Remove the two screws **J** attaching the clamper base.
(See Fig.14)
- (2) Remove the one screw **K** attaching the shaft guide from bottom side. (See Fig.14)
- (3) Remove the two screws **L** attaching the shaft guide from top side. (See Fig.15)

Caution:

When attach the tray assembly, boss of loading sub assembly should attach to guide of bottom side at tray assembly. (See Fig.15)

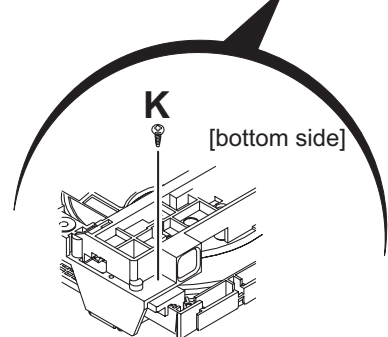
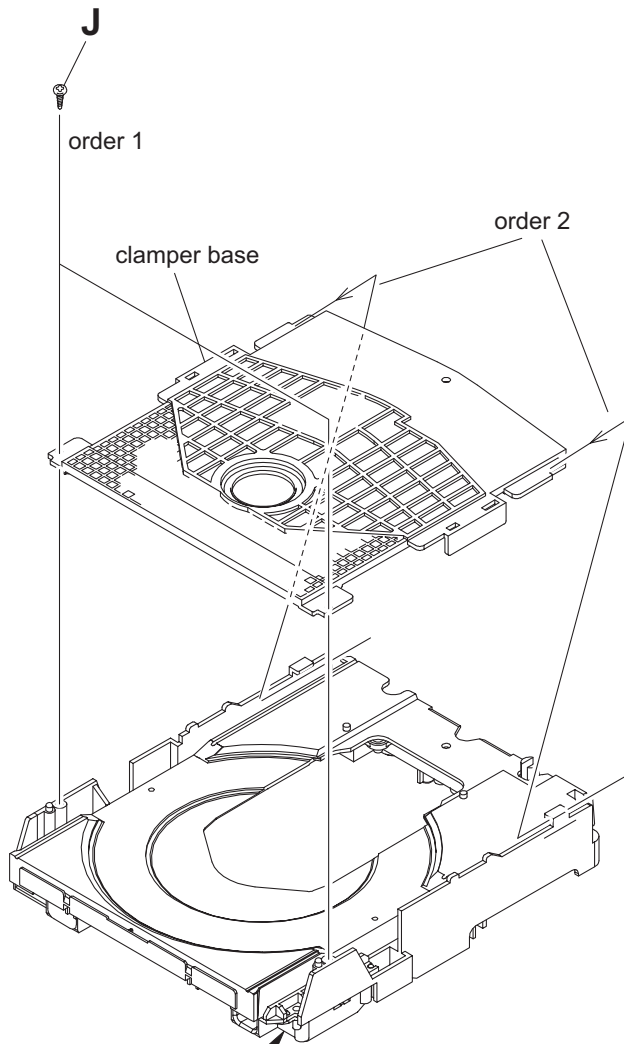


Fig.14

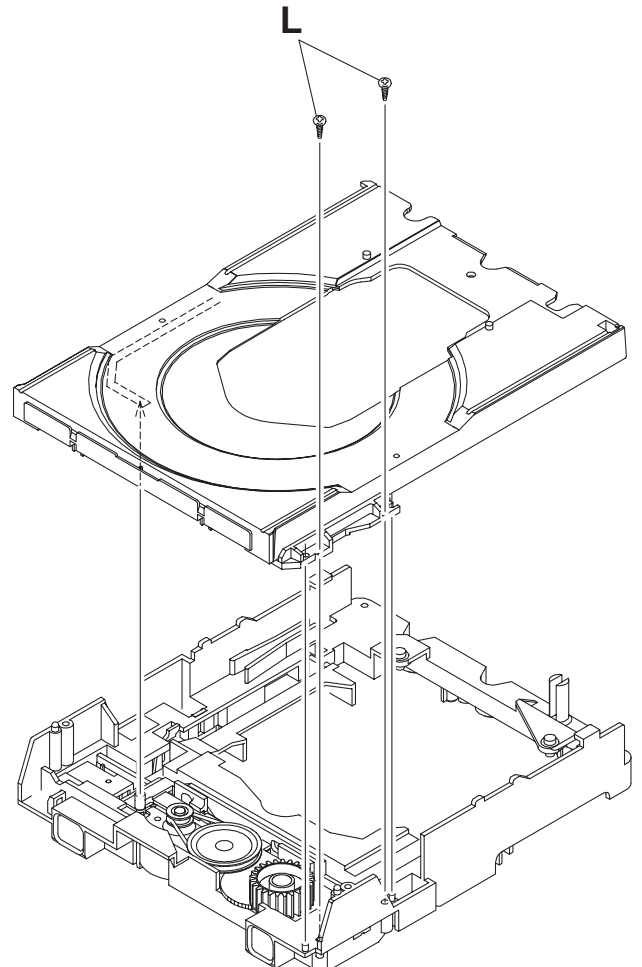


Fig.15

SECTION 4 ADJUSTMENT

4.1 ATTENTION IN SERVICE OF DVD SECTION

1. When pickup, Flash ROM, DVD module board was changed, initialize EEPROM by all means.
2. When full initialization was executed, execute learning with a DVD test disc by all means.

Test disc: VT-501, VT-502

Learning method: It is adjusted automatically by normal playback of a DVD disc.

4.2 GENERAL

REMOTE KEY	Validation	INDICATION	FUNCTION
STOP + "0" + POWER	Press during Standby	COLD	COLD START (Initialization of set)
STOP + "1" + POWER	Press during Power On	(FL all light up)	After CLOCK SET, run 1 minutes as 1sec
STOP + "2" + POWER	Press during DVD/CD or USB	eg: "A0D0S0T03BC"	DVD temperature feedback
STOP + "3" + POWER	Press once anytime	eg: "POWERKEY"	Power off/Safety trigger factor/cause
STOP + "4" + POWER	Press during Power On	eg: "FAN ON"	Fan on/off trigger
STOP + "5" + POWER	Press during Power On	L0 C/SF/SH/SL/SE	Lev_Det Status (L0/1/2), Calorie C****, Karaoke Score SH,SF,SE,SL.
STOP + "6" + POWER	Press during Power On	VOLUME 15/MAX	Trigger vol 15 or max
SET + "10" + POWER	Press during Power On	Refer SYSCON TEST	Refer SYSCON TEST sheet

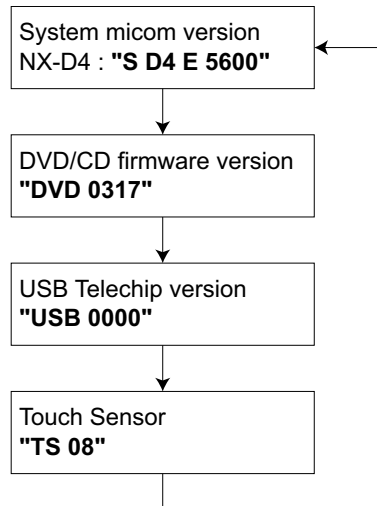
***Note :**

- (1) Tray Lock while press and hold panel "STOP" key then press "EJECT"
- (2) AM spacing (In power on AM source, panel keys)

NX-D4	
9K	<< + KARAOKE SCORING
10K	>> + KARAOKE SCORING

4.3 SYSTEM MICOM TEST MODE

- (1) In DVD/CD mode, press "SET" key + "10" key + "POWER" key repeatedly.



4.4 Version reduction

4.4.1 Version setting writing way

Version information is written in test mode.

And version writing can do only first time.

After change version, password must be input if version need change.

(1) Step

1.Set goes DVD test mode.

T	E	S	T		x	x	y		v	w
---	---	---	---	--	---	---	---	--	---	---

2.Press remocon B336 (STOP+6+POWER) key

3.If first time, set show " VERSION U1"(Initial value)

				U	1					
		L	O	C	K	E	D			

If already updated, set show "LOCKED"

4.If number key is pressed , system show version.

				U	2					
--	--	--	--	---	---	--	--	--	--	--

(Refer to Version chart)

5.For NX-D4, if SETUP key is pressed, system show "OK"

				U	2				O	K
--	--	--	--	---	---	--	--	--	---	---

"and write version to FLASH ROM.

(2) Step for LOCK release

3.If already updated, set show "LOCKED"

		L	O	C	K	E	D			
--	--	---	---	---	---	---	---	--	--	--

4.Enter password by number key.(4digit:0115)

1st				*	—	—	—			
2nd				*	*	—	—			
3rd				*	*	*	—			
4th				*	*	*	*			

***Note : Same password for all NX-D Series**

5.If SETUP key is pressed and number is correct, system show "OK" and write to flash.

		*	*	*	*				O	K
--	--	---	---	---	---	--	--	--	---	---

If number is wrong, system show "NG".

		*	*	*	*				N	G
--	--	---	---	---	---	--	--	--	---	---

Version

Key	1	2	3	4	5	6
Version	U1	U2	U3	U4	JC	E

Notes

-Version can be changed for U versions, E and JC.

-Initial setting is U1.

-Version setting must backup and don't clear after cold set.

SECTION 5 TROUBLESHOOTING

This service manual does not describe TROUBLESHOOTING.



Victor Company of Japan, Limited
Home Entertainment Business Division Personal AV Operation 10-1,1chome,Ohwatari-machi,Maebashi-city,371-8543,Japan

(No.MB726<Rev.001>)

Printed in Japan
VSE



SCHEMATIC DIAGRAMS
COMPACT COMPONENT SYSTEM

NX-D4B

NX-D4E

NX-D4A



■ PRECAUTIONS ON SCHEMATIC DIAGRAMS

- Due to the improvement in performance, some part numbers shown in the circuit diagrams may not agree with those indicated in the Parts List.
- The parts numbers, values and rated voltage etc. in the Schematic Diagrams are for reference only.
- Since the circuit diagrams are standard ones, the circuits and circuit constants may be subject to change for improvement without any notice.

■ PRECAUTIONS ON PARTS LIST

- The parts identified by the \triangle symbol are critical for safety. Whenever replacing these parts, be sure to use specified ones to secure the safety.
- The parts not indicated in this Parts List and those which are filled with lines --- in the Parts No. columns will not be supplied.
- P.W. BOARD Ass'y will not be supplied, but those which are filled with the Parts No. in the Parts No. columns will be supplied.
- When ordering chips, screws etc., place bulk orders (unit of tens) whenever possible to improve shipping efficiency.
- There are cases where the actual implemented parts in the sets and the service parts are different. When ordering parts, make sure to refer to the Parts List.

■ PRECAUTIONS ON SERVICE

Certain parts of the power circuits and the GNDs differ according to the models. Care must be taken for the following points as the differences are indicated separately in the LIVE GND () and the ISOLATED (NEUTRAL) GND () .

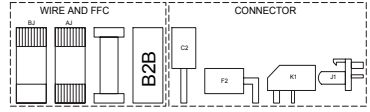
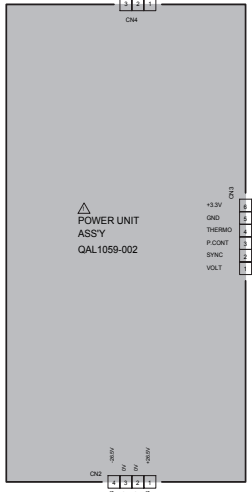
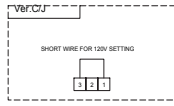
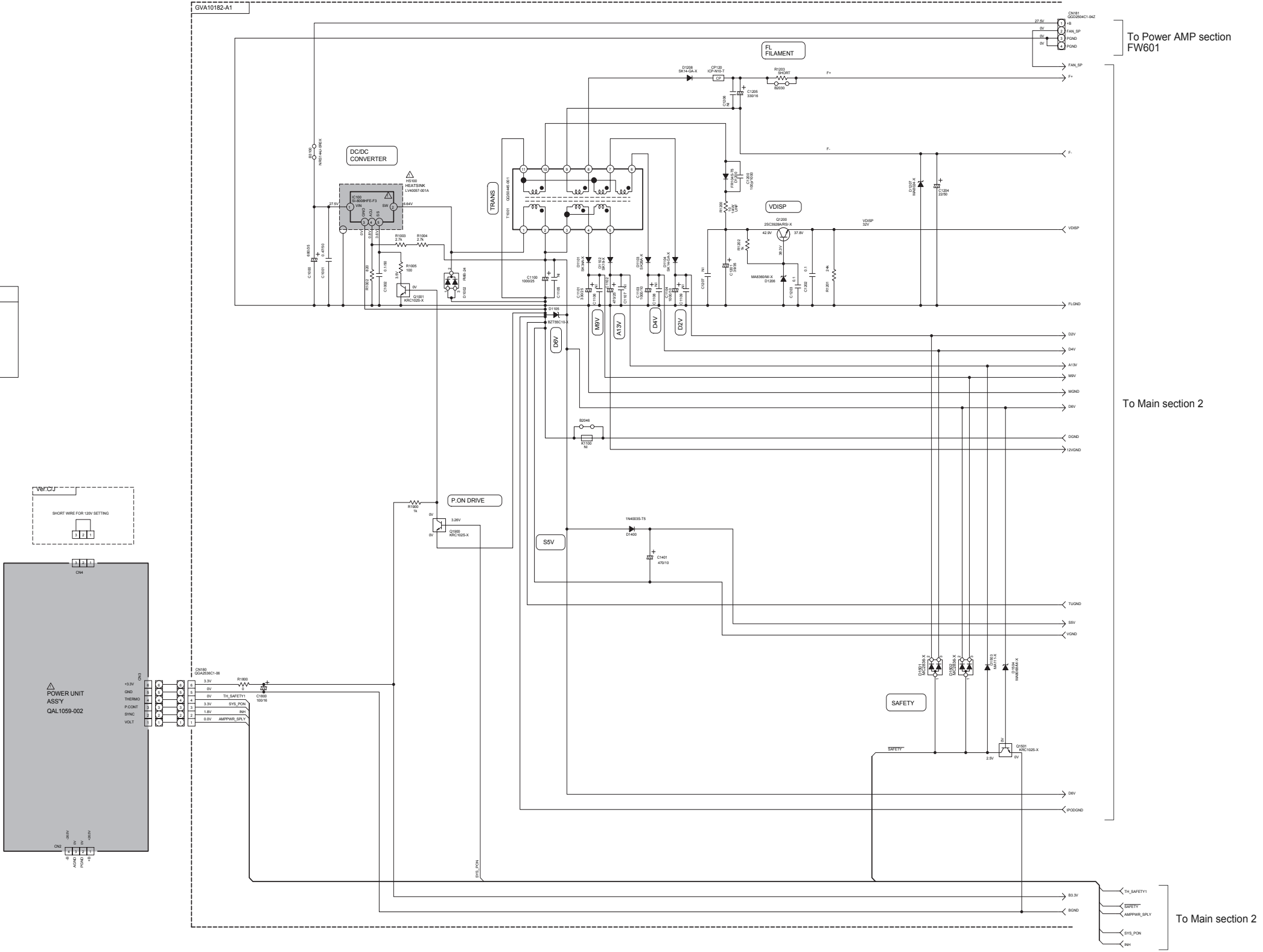
1. Do not touch the LIVE GND, or do not touch the LIVE GND and the ISOLATED (NEUTRAL) GND at the same time. It may cause an electric shock.
Before pulling out the chassis or other parts, make sure to pull out the power cord from the wall outlet first.
2. Do not short circuit between the LIVE GND and ISOLATED (NEUTRAL) GND, or never measure the LIVE GND and ISOLATED (NEUTRAL) GND at the same time using measuring instruments (oscilloscope, etc.). It may blow fuses or damage other parts.

■ DEVIATION TOLERANCE RANGE

DEVIATION TOLERANCE RANGE									
F	G	J	K	M	N	R	H	Z	P
± 1%	± 2%	± 5%	±10%	±20%	±30%	+30% -10%	+50% -10%	+80% -20%	+100% -0%

<Main section 1>

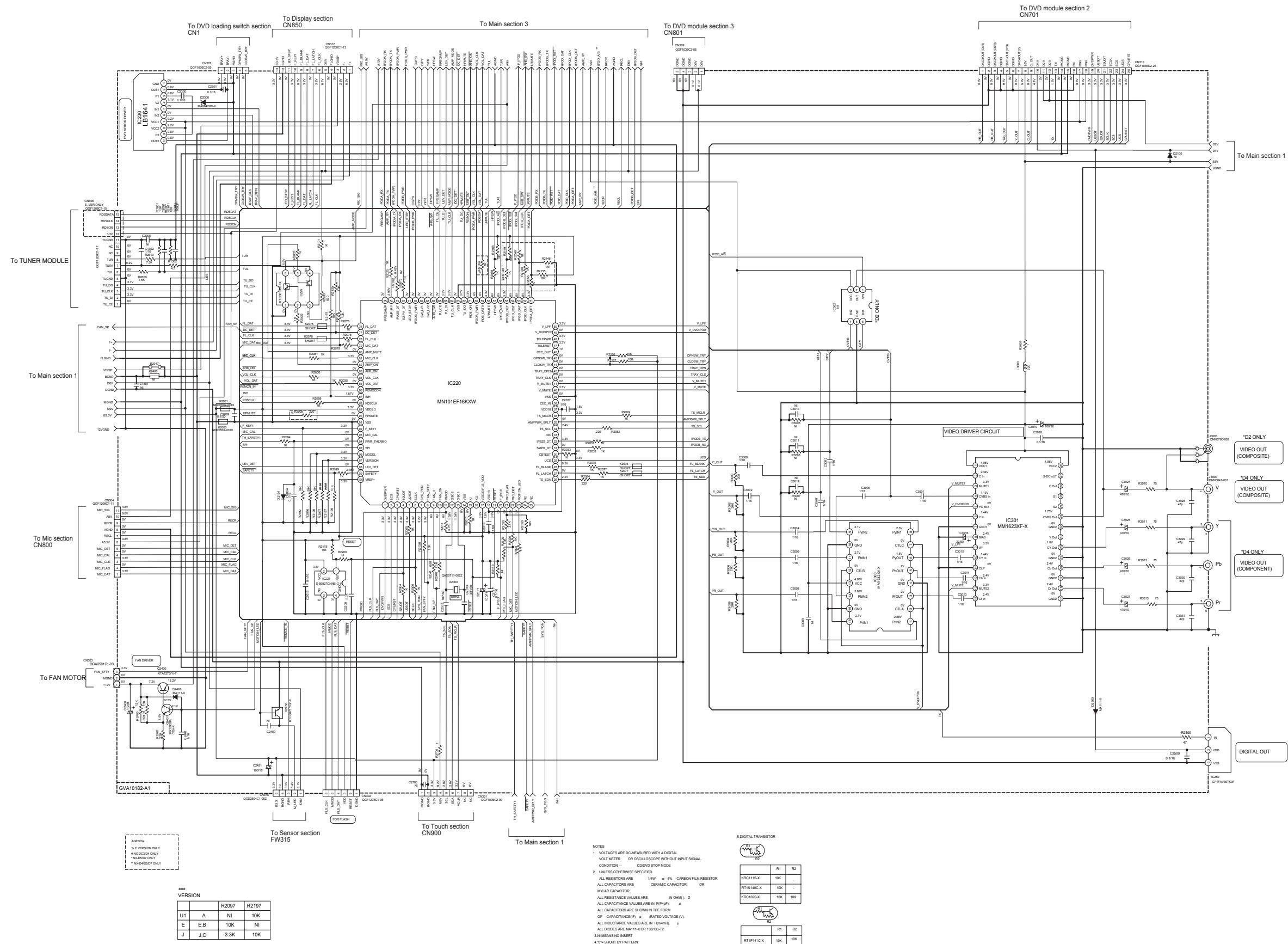
OL EXT	VERSION CODES
002	B :U.K.
003	A :AUSTRALIA
004	C :CANANDA
005	E :EUROPE
006	J :USA



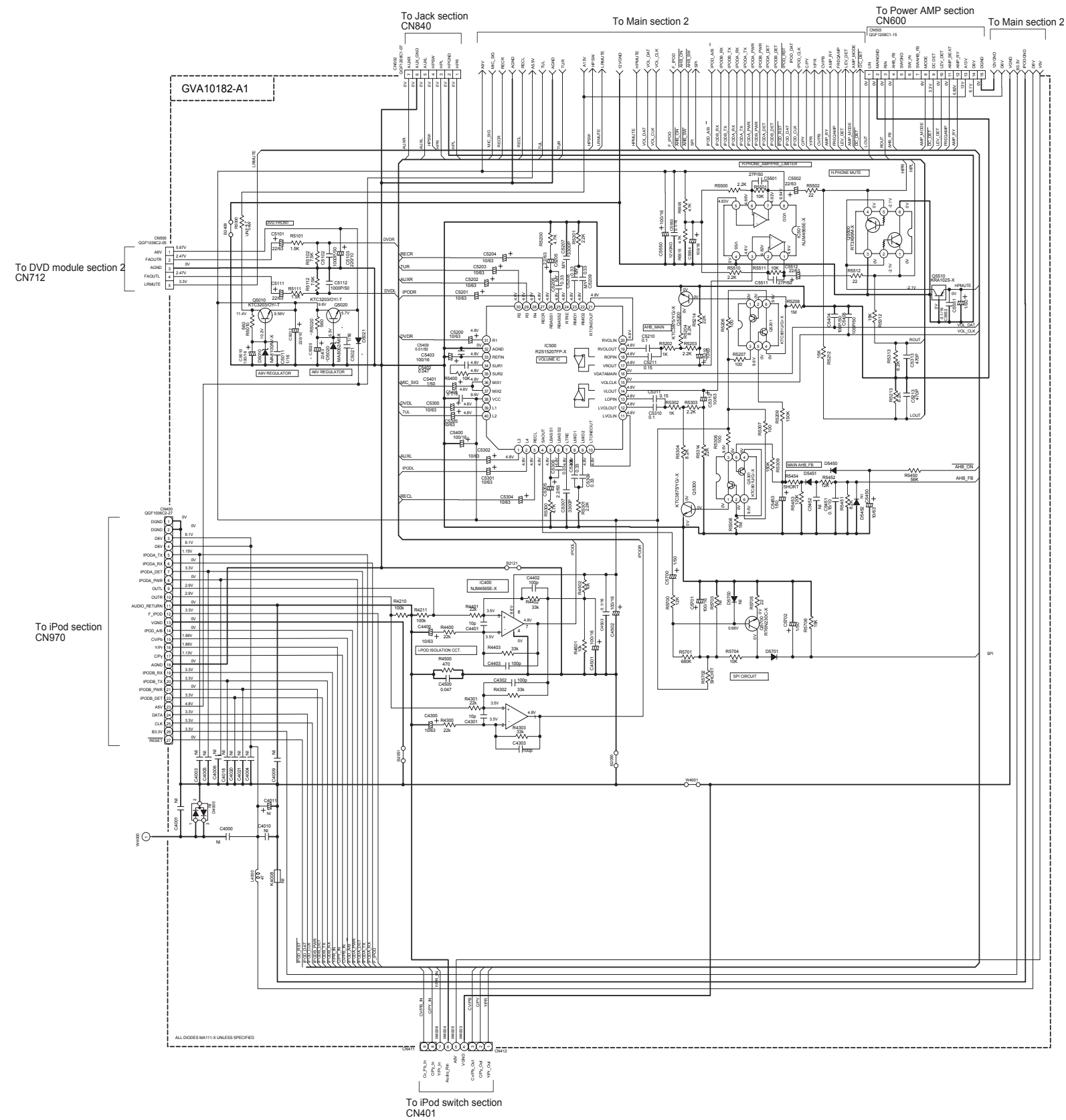
- VOLTAGES ARE DC MEASURED WITH A DIGITAL VOLT METER OR OSCILLOSCOPE WITHOUT INPUT SIGNAL. CONDITION - CD STOP MODE
- UNLESS OTHERWISE SPECIFIED
- ALL RESISTORS ARE 1/4W ± 5% CARBON FILM RESISTOR
- ALL CAPACITORS ARE MYLAR CAPACITOR
- ALL RESISTANCE VALUES ARE IN OHMS (Ω)
- ALL CAPACITANCE VALUES ARE IN PICO FARADS (pF)
- ALL CAPACITORS ARE SHOWN IN THE FORM OF CAPACITANCE (F) ± RATED VOLTAGE (V)
- ALL INDUCTANCE VALUES ARE IN MILLIHENRYS (mH)
- N STANDS FOR NOT INSERTED PARTS

Parts are safety assurance parts. When replacing those parts make sure to use the specified one.

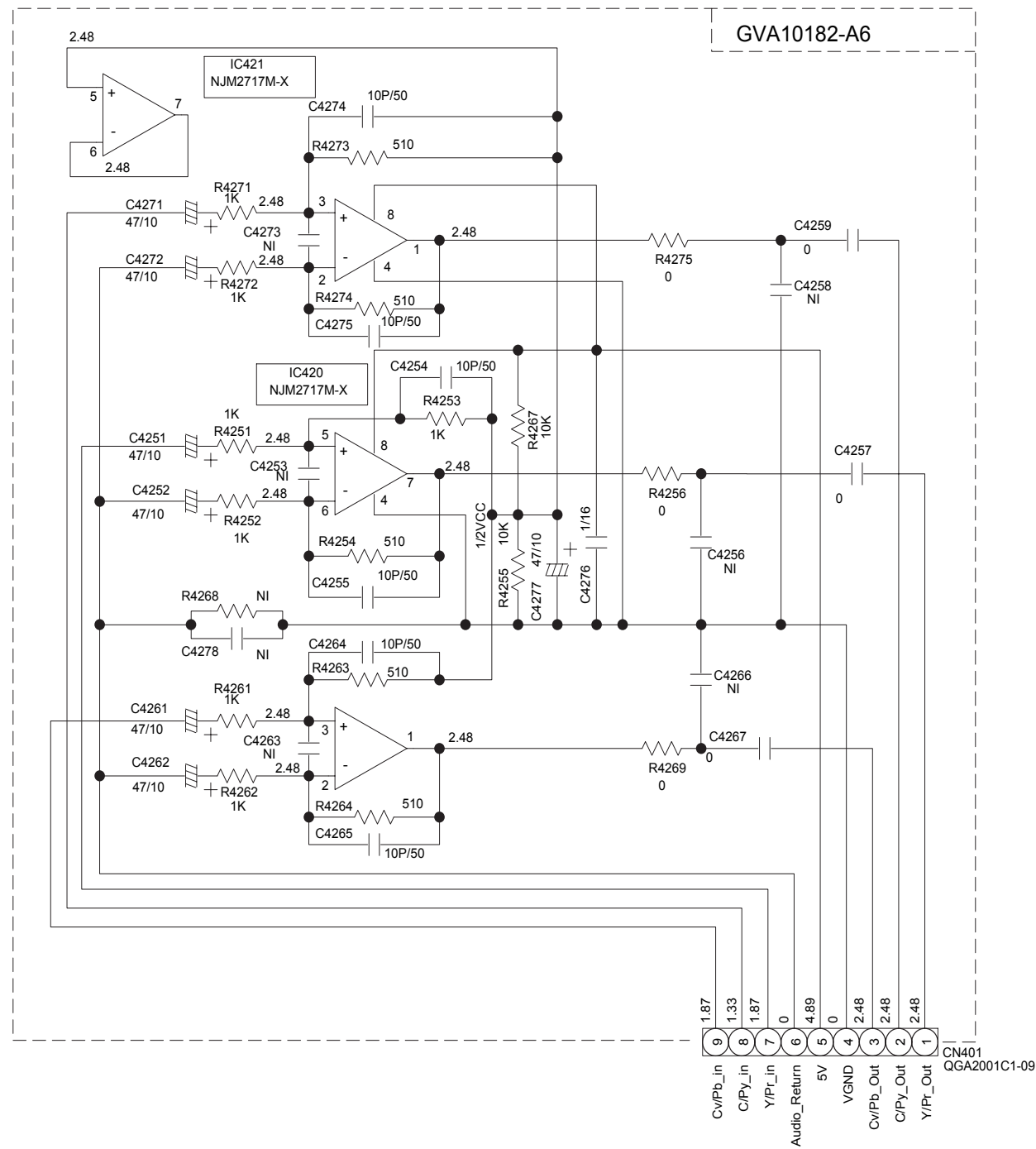
<Main section 2>



<Main section 3>

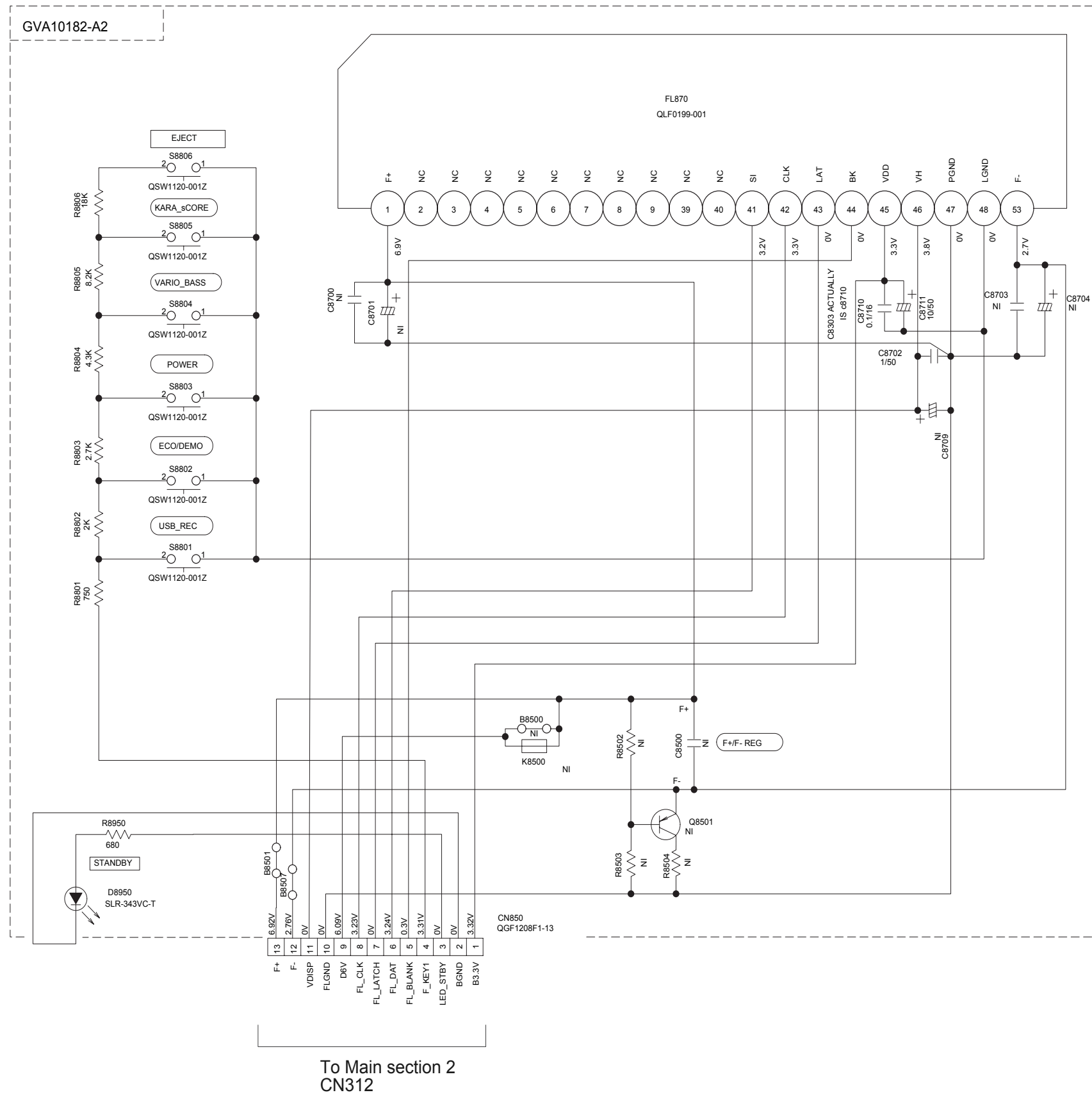


<iPod switch section>

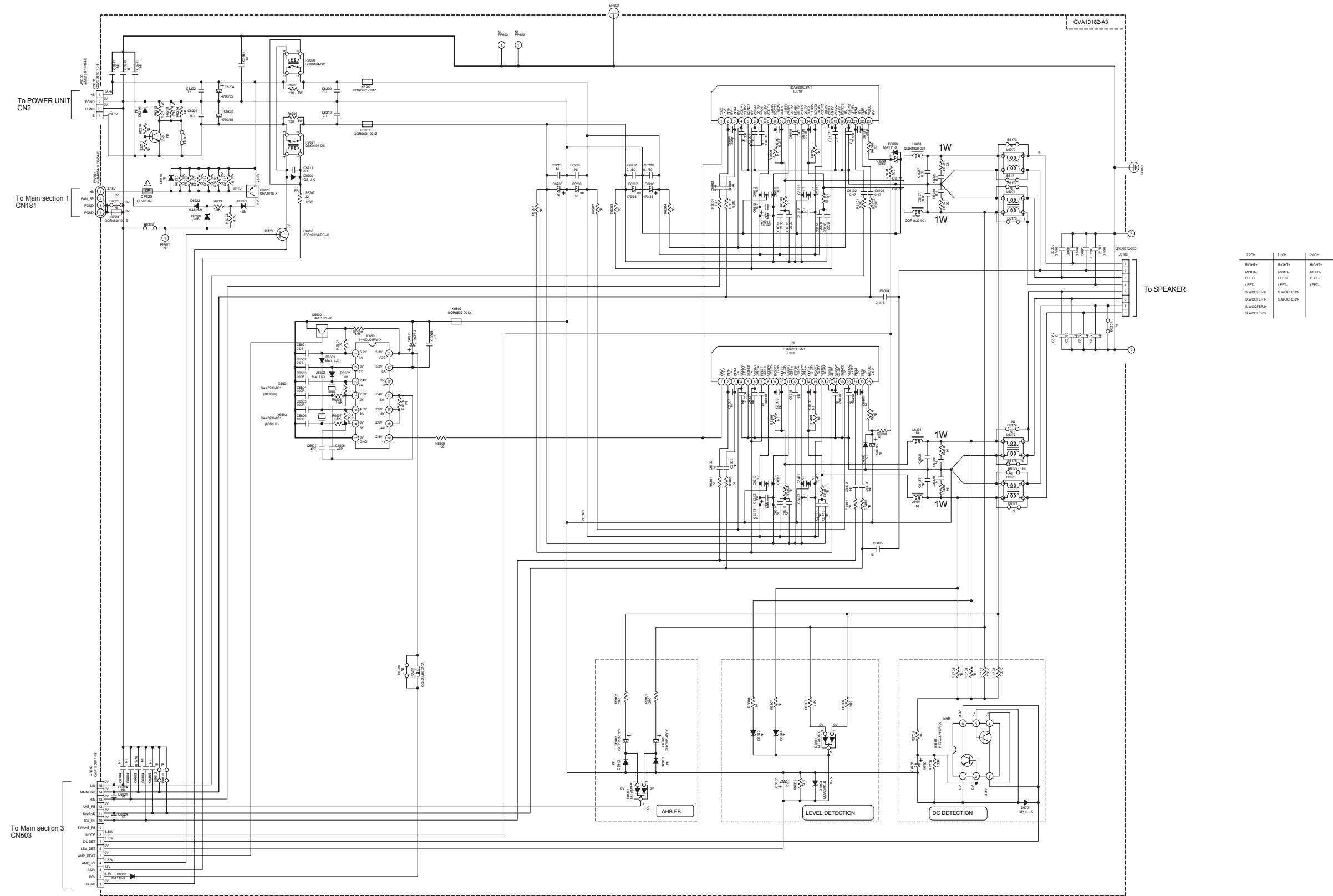


To Main section 3
CN411/CN412

<Display section>



<Power AMP section>



2.5Ω	2.5Ω	2.5Ω
RIGHT	RIGHT	RIGHT
RIGHT	RIGHT	RIGHT
LEFT	LEFT	LEFT
LEFT	LEFT	LEFT
S.WOOFERL	S.WOOFERH	S.WOOFERL
S.WOOFERL	S.WOOFERH	S.WOOFERL
S.WOOFERL	S.WOOFERH	S.WOOFERL

To POWER UNIT
CN2

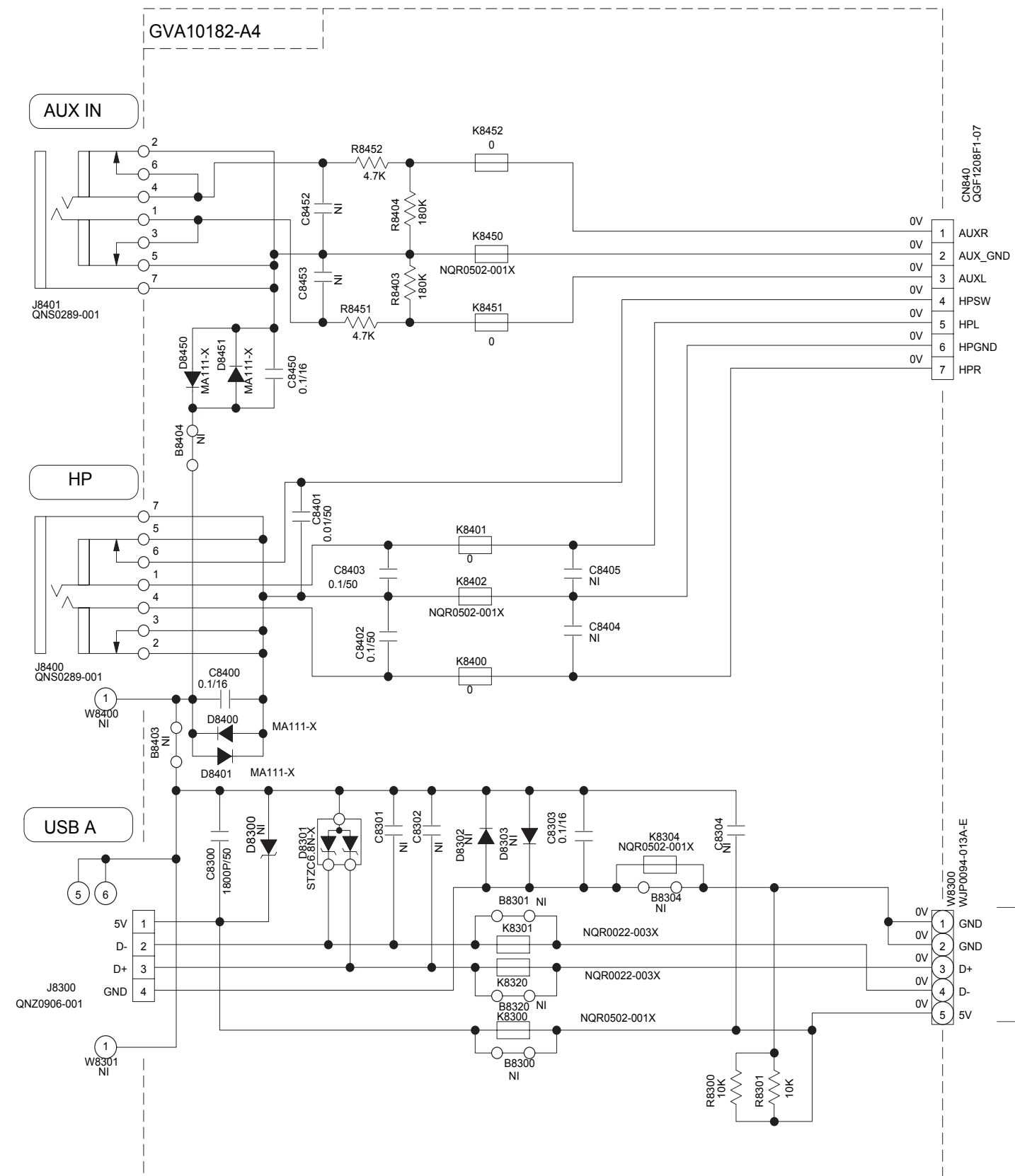
To Main section 1
CN181

To Main section 3
CN503

To SPEAKER

Parts are safety assurance parts.
When replacing those parts make
sure to use the specified one.

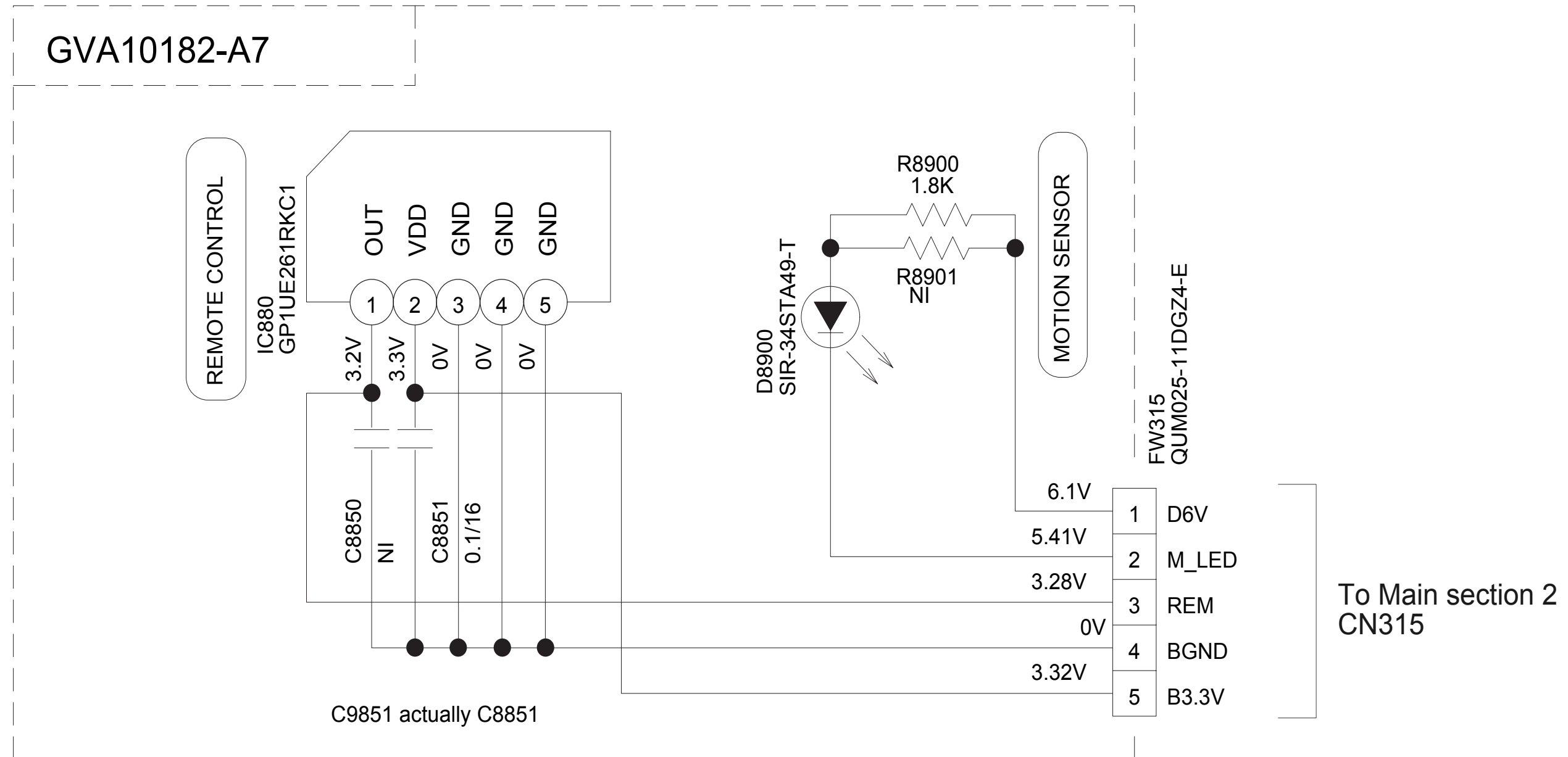
<Jack section>



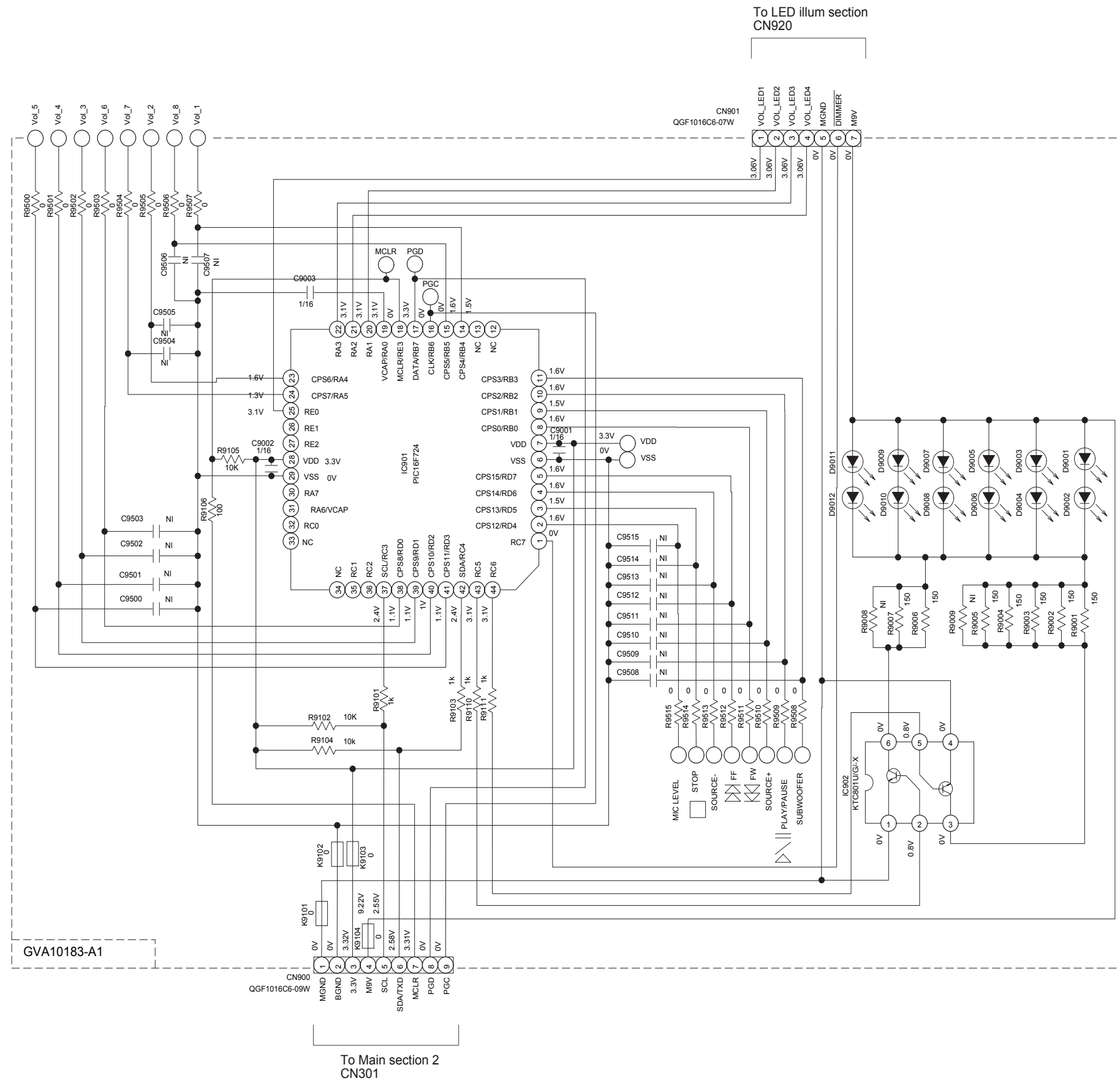
To Main section 3
CN502

To DVD section 3
CN811

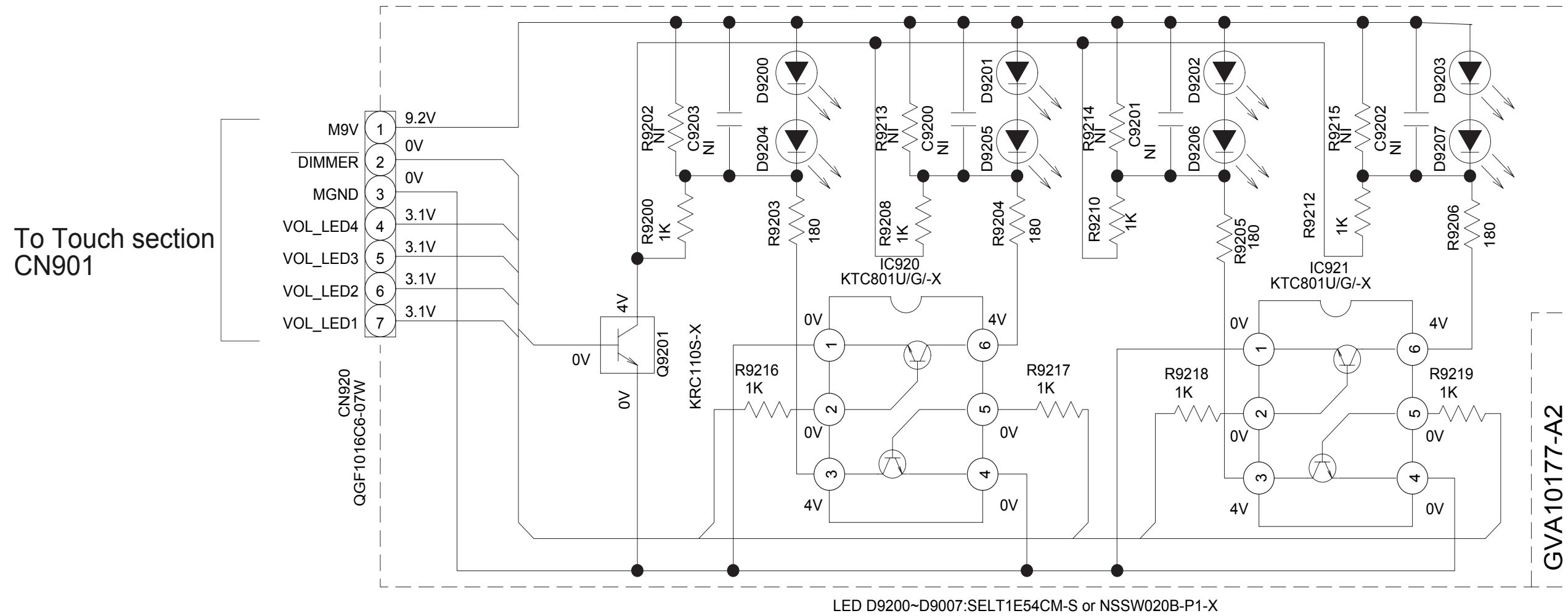
<Sensor section>



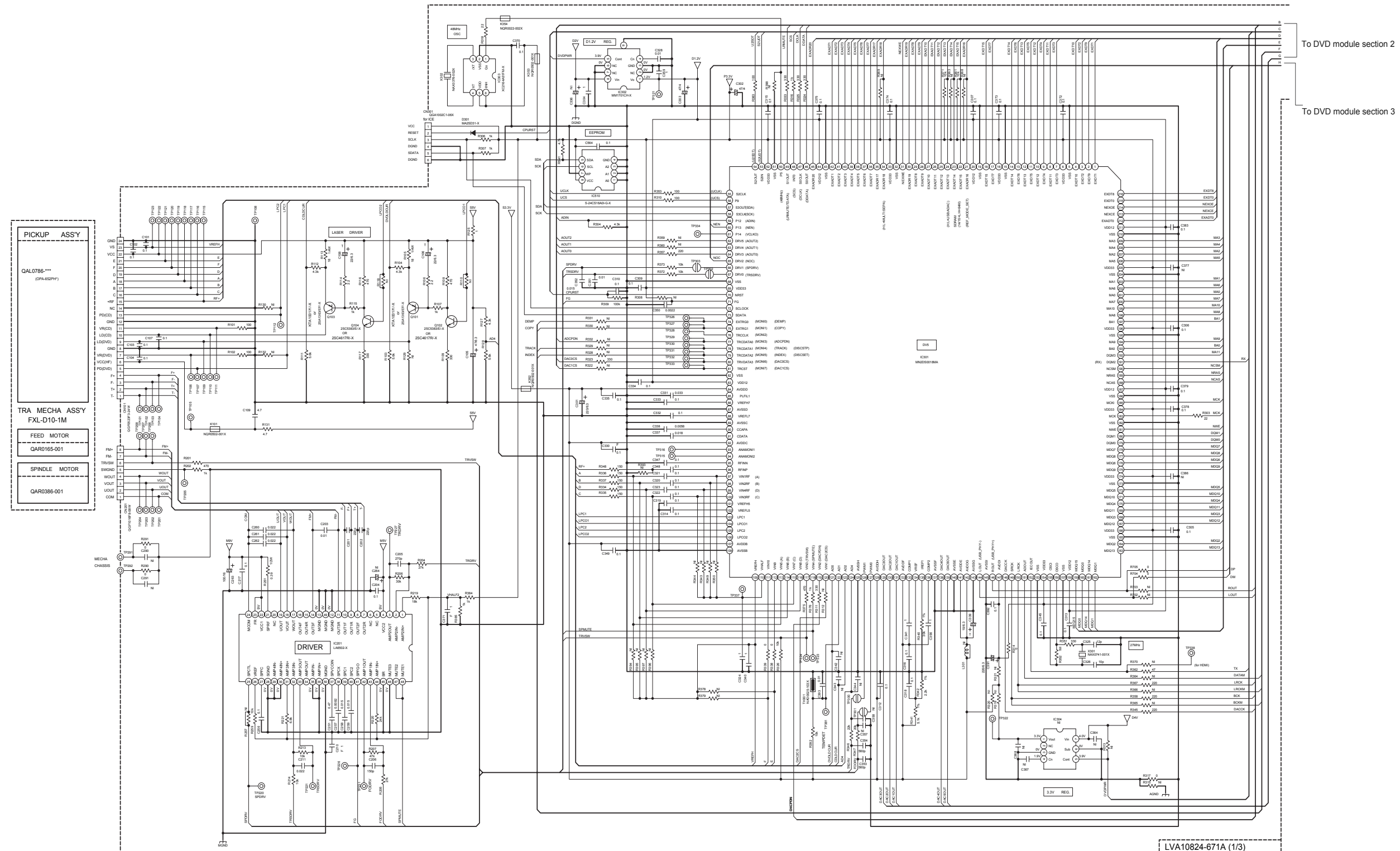
<Touch section>



<LED Illumination section>



<DVD module section 1>

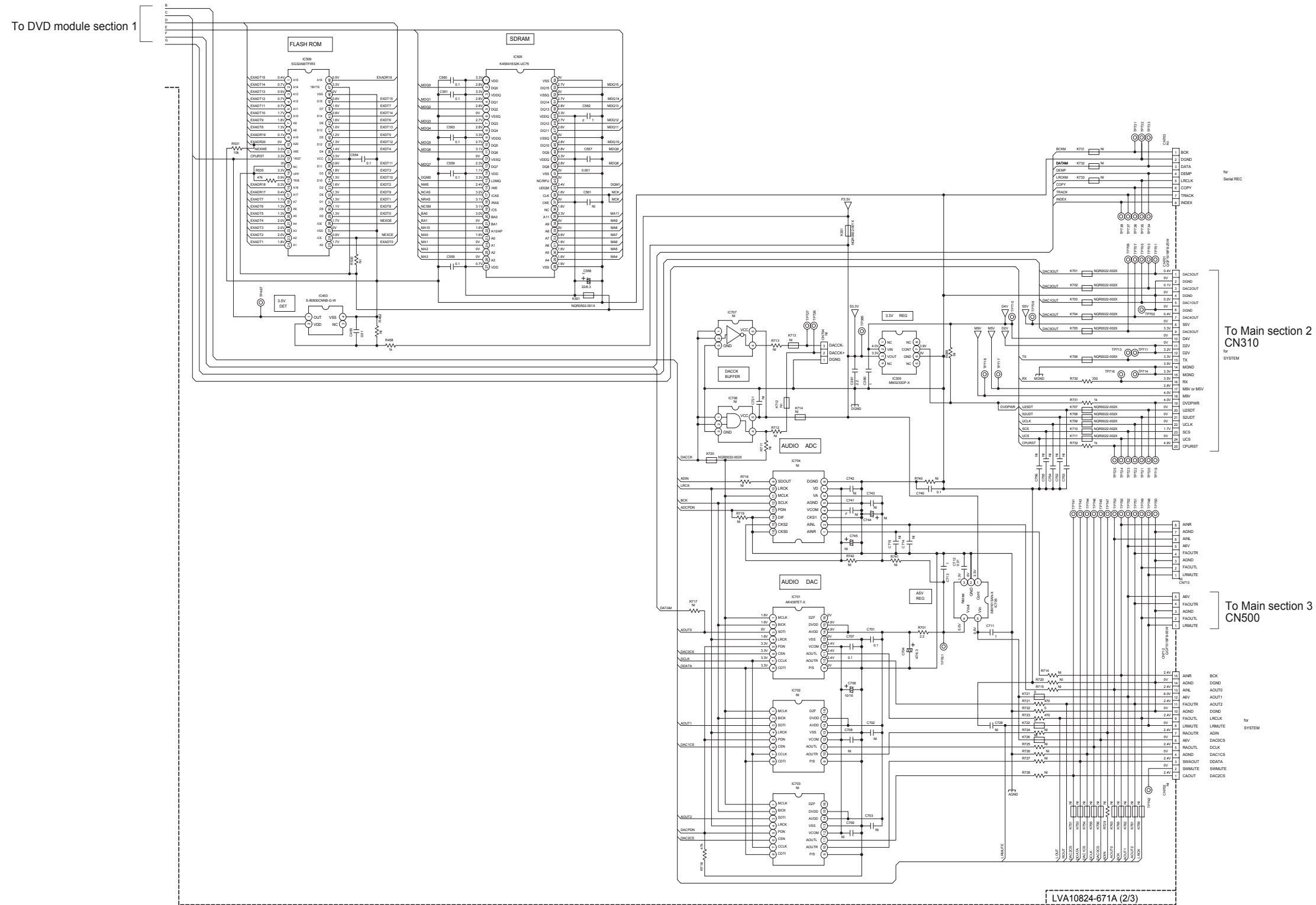


To DVD module section 2
To DVD module section 3

LVA10824-671A (1/3)

- NOTES**
1. VOLTAGES ARE DC MEASURED WITH A DIGITAL VOLT METER WITHOUT INPUT SIGNAL CONDITION — A DVD disc in the Tray 1, and STOP mode 3. NI STANDS FOR NOT INSERTED PARTS.
 2. UNLESS OTHERWISE SPECIFIED, ALL RESISTORS ARE 1/8W OR 1/4W ± 5% METAL GLAZE RESISTOR, OR 0.5% METAL GLAZE RESISTOR. ALL CAPACITORS ARE 50V, 25V, 16V, 10V, OR 6.3V CERAMIC CAPACITOR. ALL RESISTANCE VALUES ARE IN OHMS (Ω). ALL CAPACITANCE VALUES ARE IN PICOFARADS (pF) UNLESS OTHERWISE SPECIFIED. ALL CAPACITANCE VALUES ARE IN MICROFARADS (μF) UNLESS OTHERWISE SPECIFIED. ALL CAPACITORS ARE SHOWN IN THE FORM OF CAPACITANCE (F) μ (RATED VOLTAGE (V)). ALL INDUCTANCE VALUES ARE IN MICROHENRYS (μH).

<DVD module section 2>

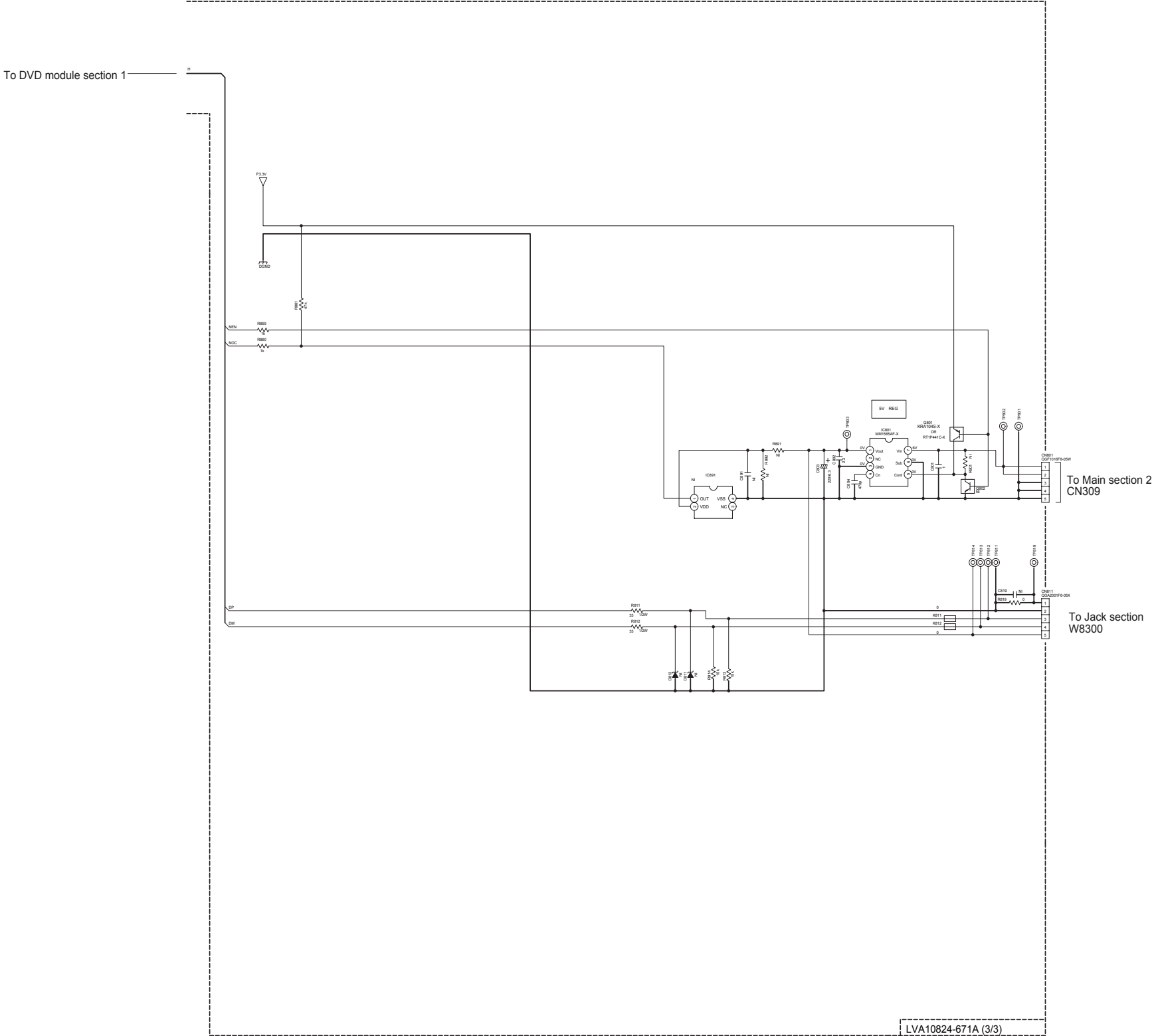


NOTES

- VOLTAGES ARE DC-MEASURED WITH A DIGITAL VOLT METER WITHOUT INPUT SIGNAL. CONDITION -- A DVD disc in the Tray 1, and STOP mode.
- UNLESS OTHERWISE SPECIFIED, ALL RESISTORS ARE 1/16W ±0.5% METAL GLAZE RESISTOR OR 0.5% METAL GLAZE RESISTOR. ALL CAPACITORS ARE 50V ±20% 10V or 6.3V CERAMIC CAPACITOR. ALL RESISTANCE VALUES ARE IN OHMS (Ω). ALL CAPACITANCE VALUES ARE IN PICO-FARADS (pF). ALL CAPACITORS ARE SHOWN IN THE FORM OF CAPACITANCE (F) / RATED VOLTAGE (V). ALL INDUCTANCE VALUES ARE IN MICROHENRS (μH).
- NI STANDS FOR NOT INSERTED PARTS.

LVA10824-671A (2/3)

<DVD module section 3>



NOTES

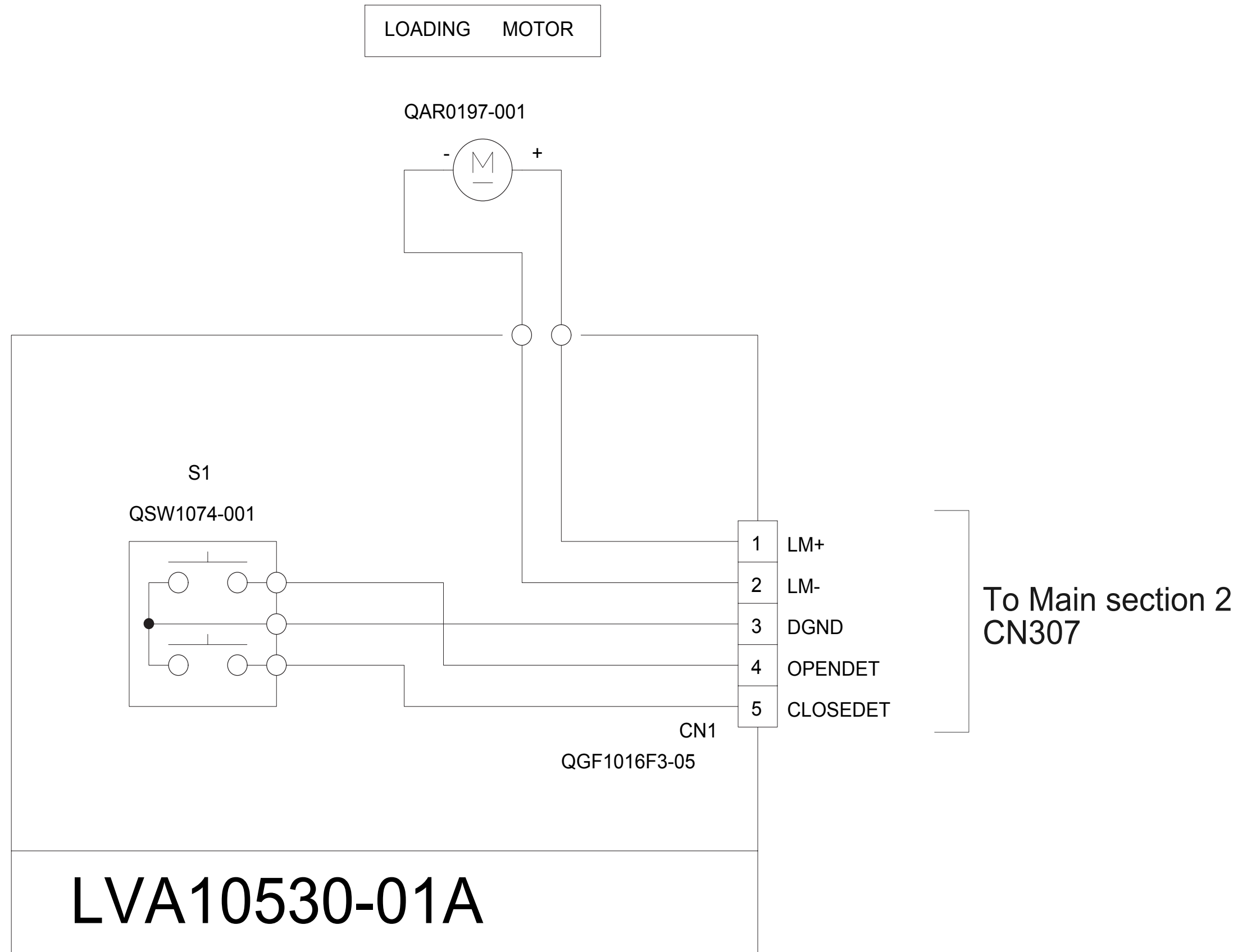
1. VOLTAGES ARE DC-MEASURED WITH A DIGITAL VOLT METER WITHOUT INPUT SIGNAL.
 CONDITION - A DVD disc in the Play, 1, and STOP mode.

2. UNLESS OTHERWISE SPECIFIED:
 ALL RESISTORS ARE 1/8W 45% METAL GLAZE RESISTOR, OR 0.5% METAL GLAZE RESISTOR.
 ALL CAPACITORS ARE 50V .25V, .10V or 6.3V CERAMIC CAPACITOR.
 ALL RESISTANCE VALUES ARE IN OHMS (Ω).
 ALL CAPACITANCE VALUES ARE IN μF(μF).
 ALL CAPACITORS ARE SHOWN IN THE FORM OF CAPACITANCE (F) ± RATED VOLTAGE (V).
 ALL INDUCTANCE VALUES ARE IN RH(μH).

3. N STANDS FOR NOT INSERTED PARTS.

4. DIGITAL TRANSISTOR

<DVD loading switch section>

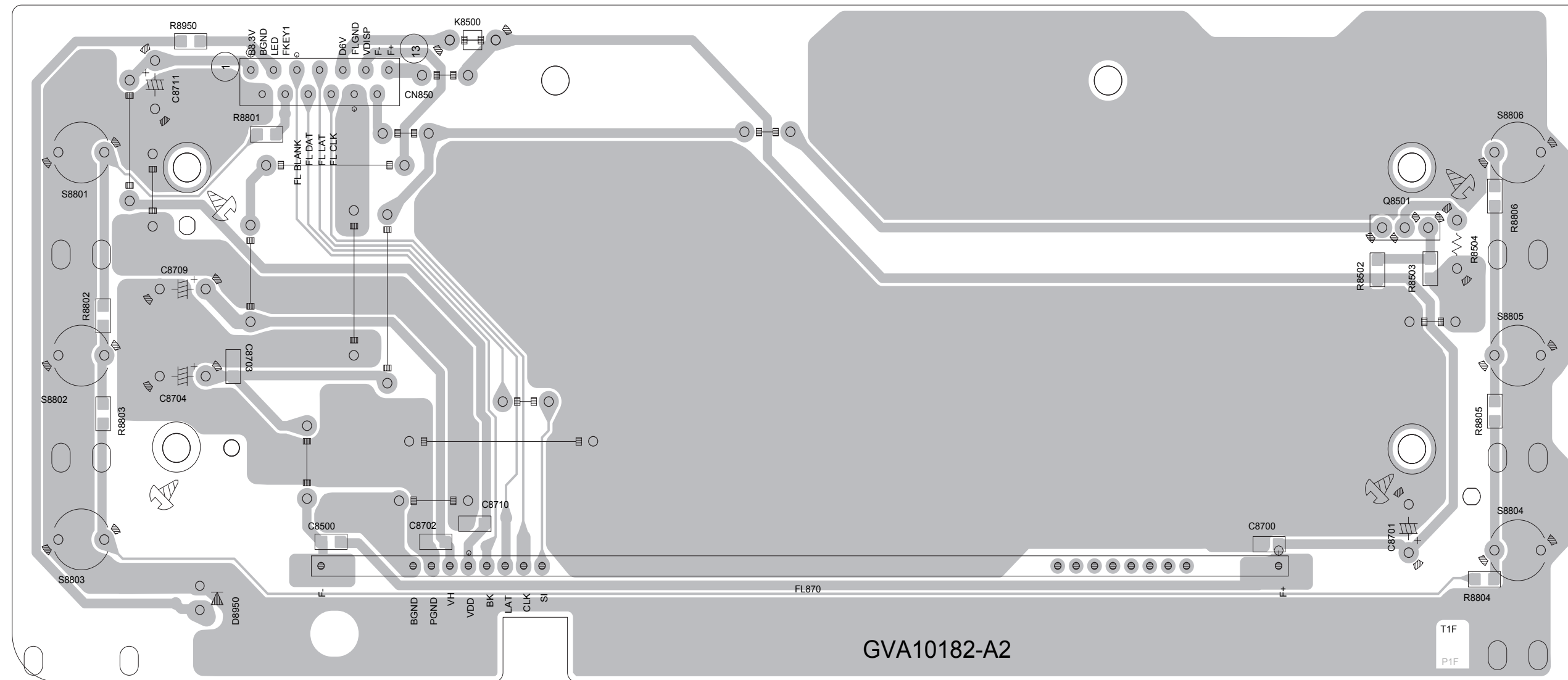


To Main section 2
CN307

<Display board>

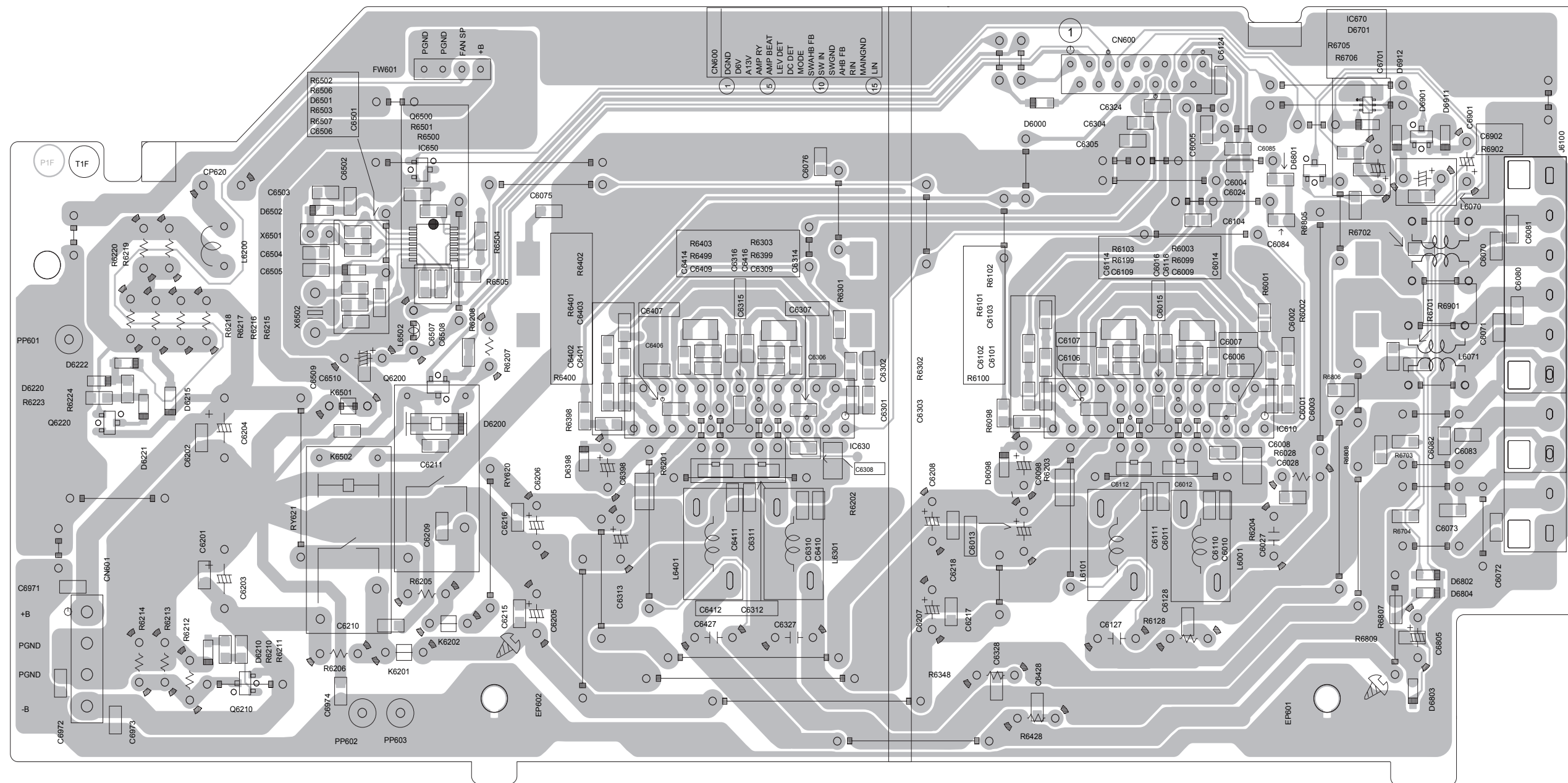
(Lead free solder used in the board (material : Sn-Ag-Cu, melting point : 219 Centigrade))

(Lead free solder used in the board (material : Sn-Cu, melting point : 230 Centigrade))



<Power AMP board>

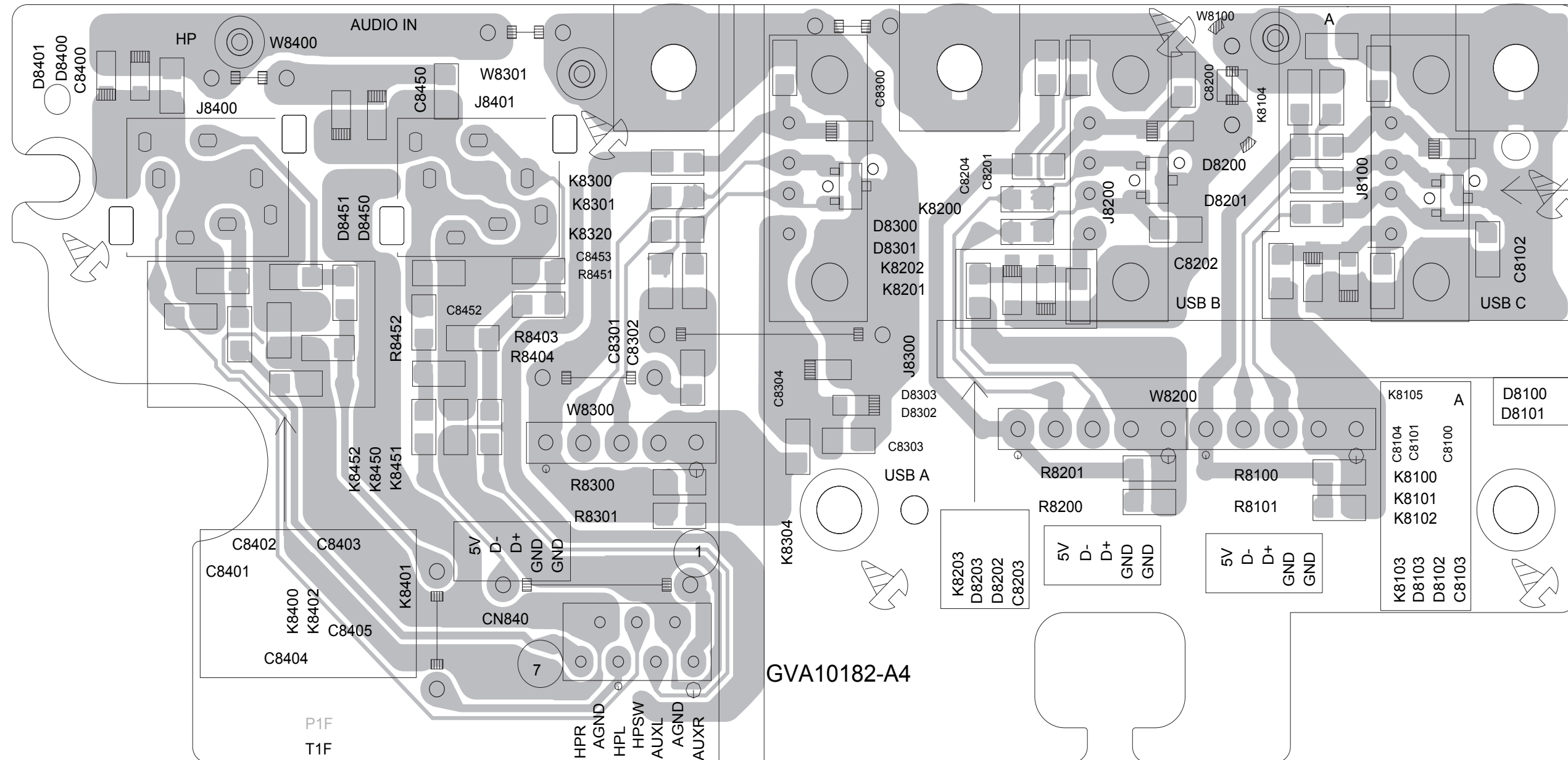
(Lead free solder used in the board (material : Sn-Ag-Cu, melting point : 219 Centigrade))
(Lead free solder used in the board (material : Sn-Cu, melting point : 230 Centigrade))



<Jack board>

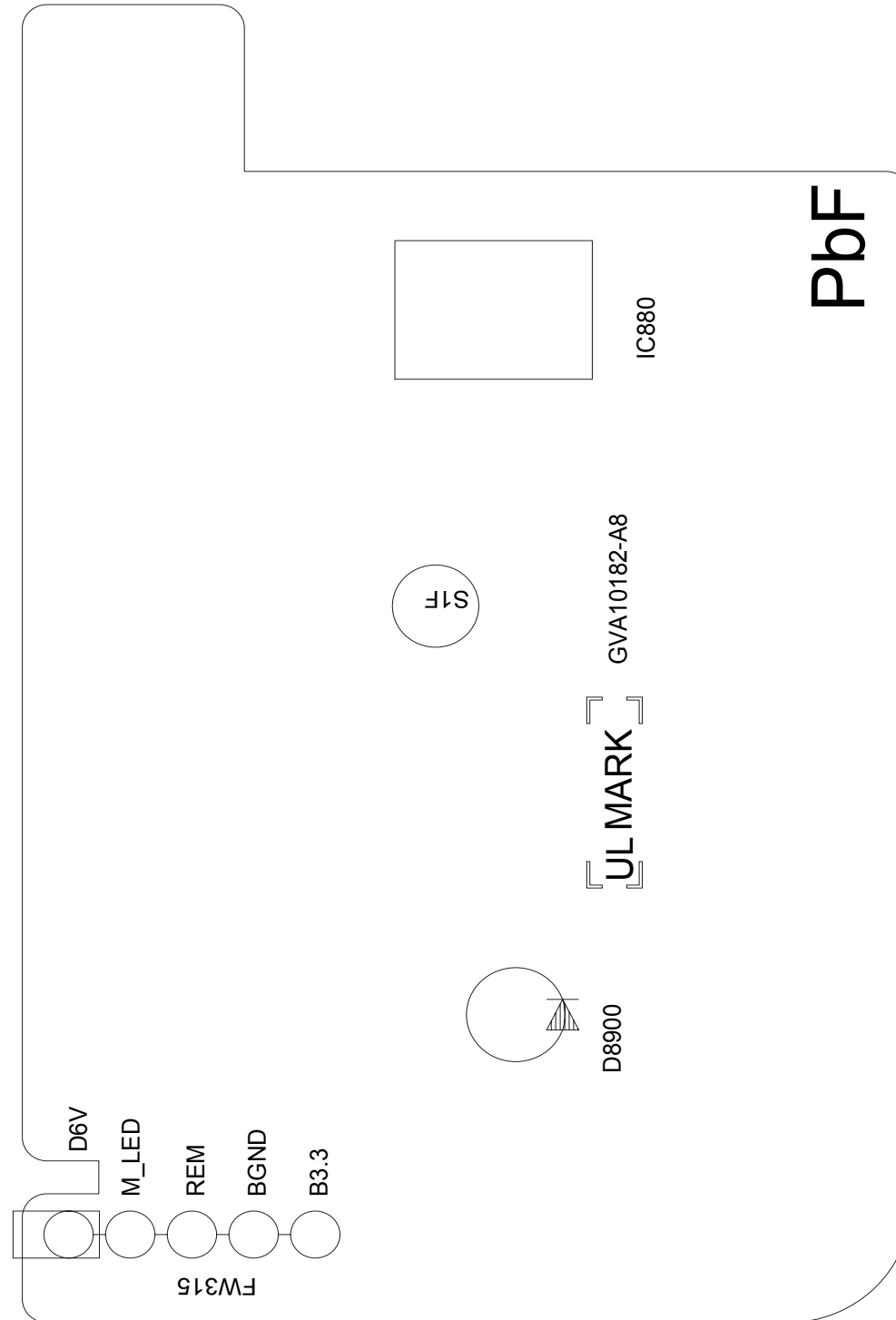
(Lead free solder used in the board (material : Sn-Ag-Cu, melting point : 219 Centigrade))

(Lead free solder used in the board (material : Sn-Cu, melting point : 230 Centigrade))



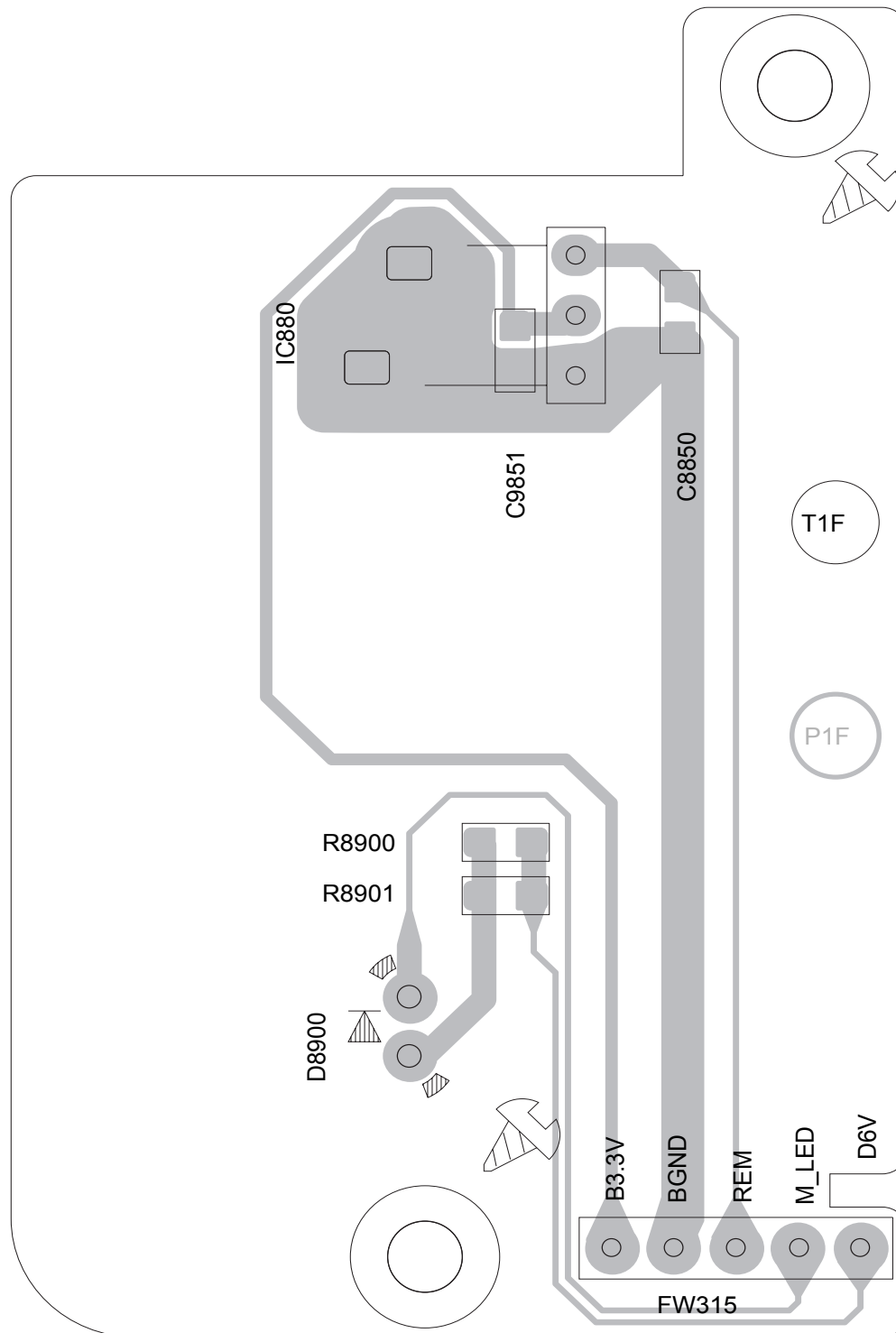
<Sensor board>

(Lead free solder used in the board (material : Sn-Ag-Cu, melting point : 219 Centigrade))
(Lead free solder used in the board (material : Sn-Cu, melting point : 230 Centigrade))



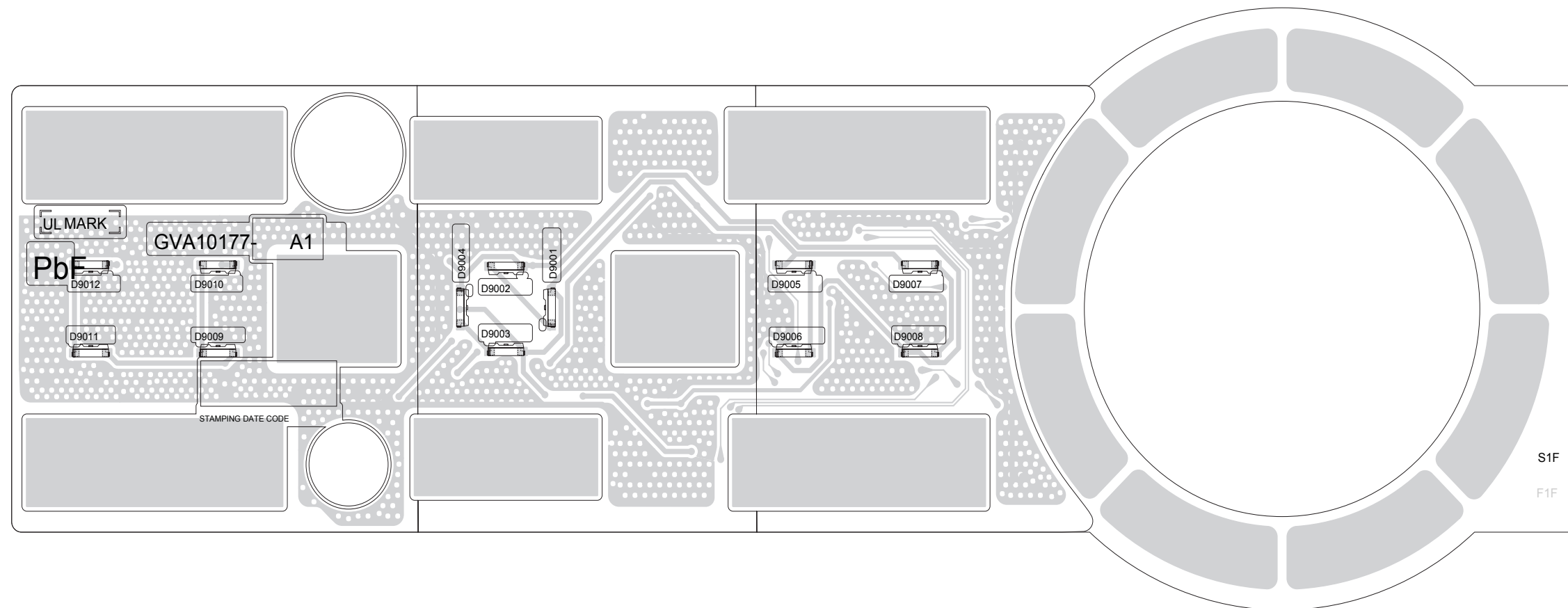
<Sensor board>

(Lead free solder used in the board (material : Sn-Ag-Cu, melting point : 219 Centigrade))
(Lead free solder used in the board (material : Sn-Cu, melting point : 230 Centigrade))



<Touch board>

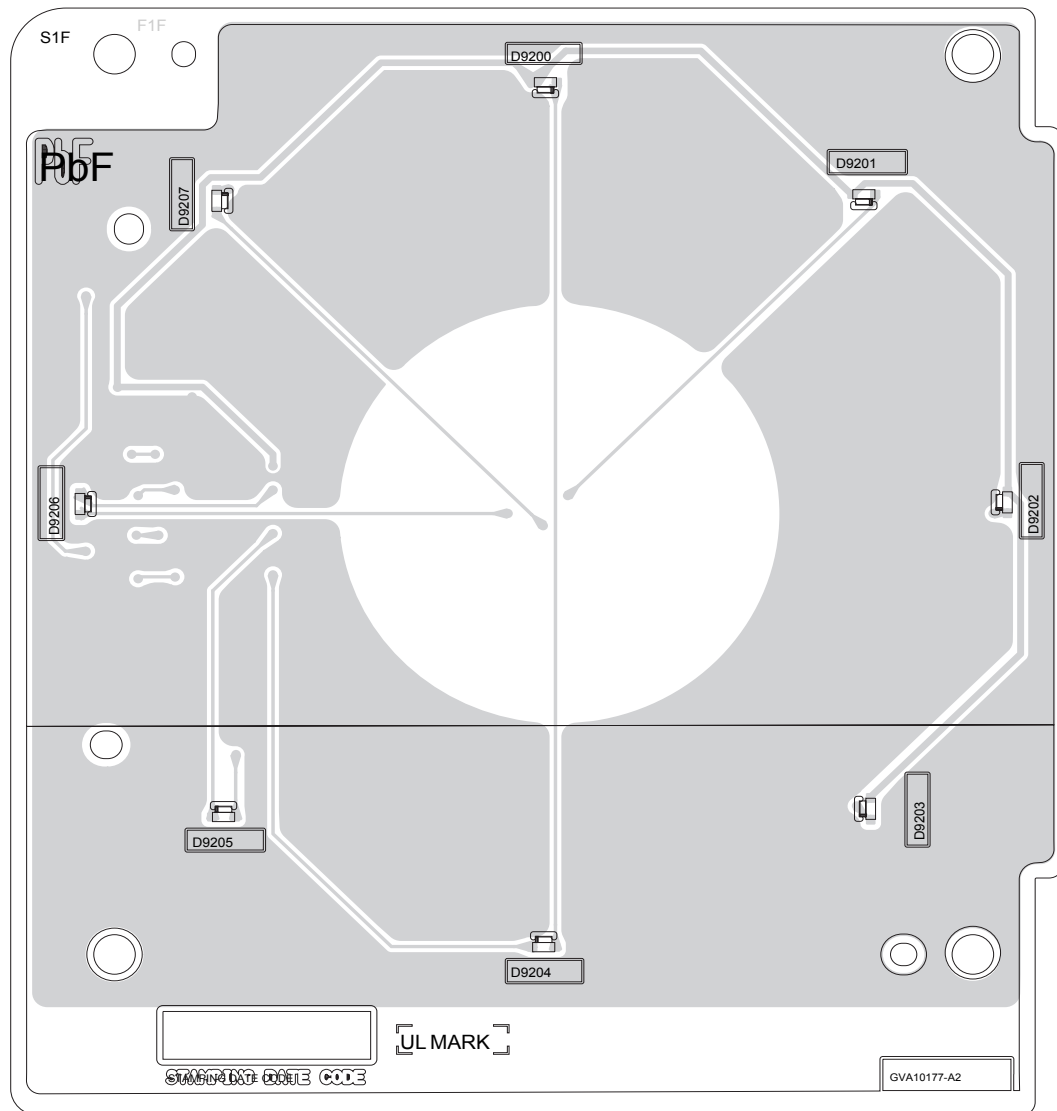
(Lead free solder used in the board (material : Sn-Ag-Cu, melting point : 219 Centigrade))
(Lead free solder used in the board (material : Sn-Cu, melting point : 230 Centigrade))



<LED Illumination board>

(Lead free solder used in the board (material : Sn-Ag-Cu, melting point : 219 Centigrade))

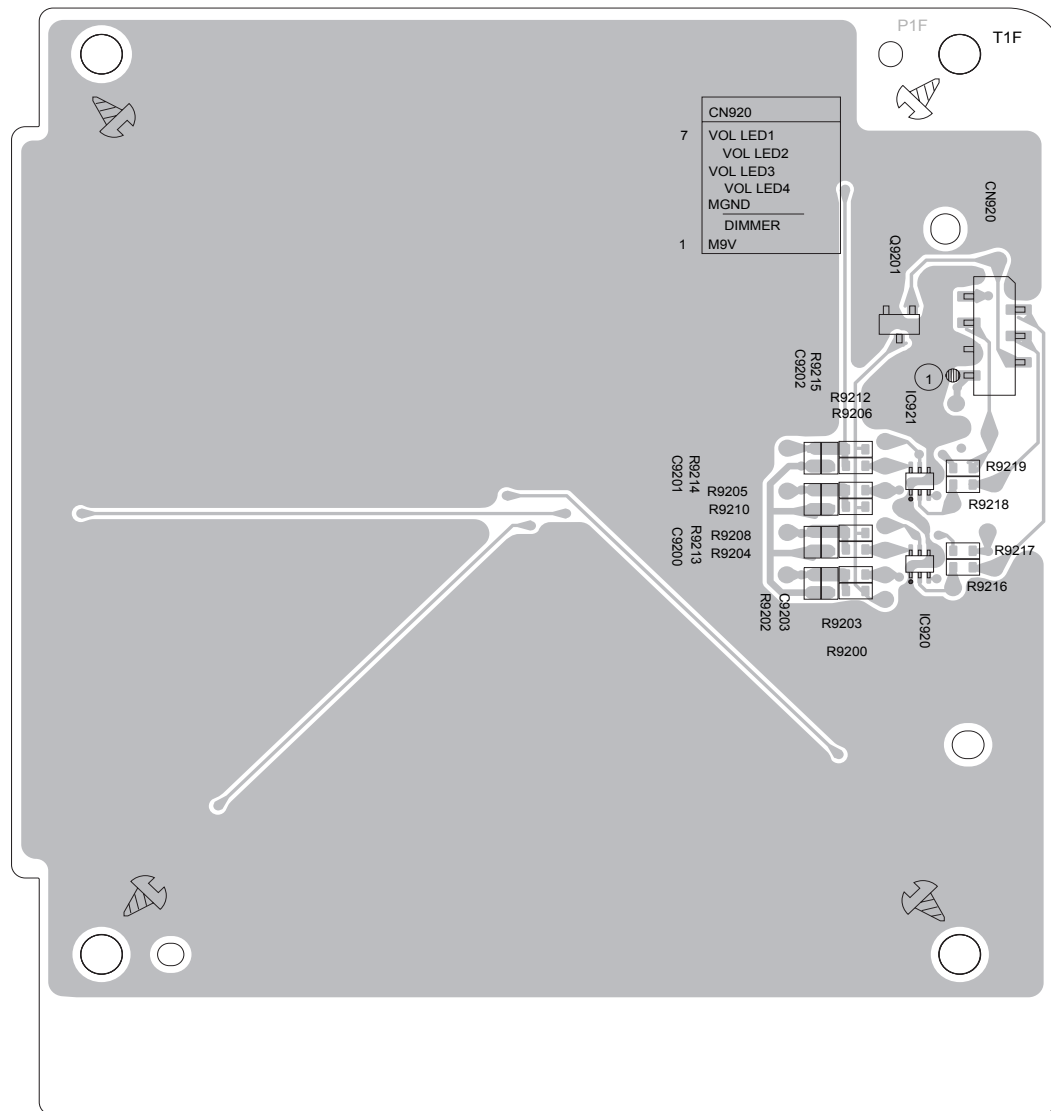
(Lead free solder used in the board (material : Sn-Cu, melting point : 230 Centigrade))



<LED Illumination board>

(Lead free solder used in the board (material : Sn-Ag-Cu, melting point : 219 Centigrade))

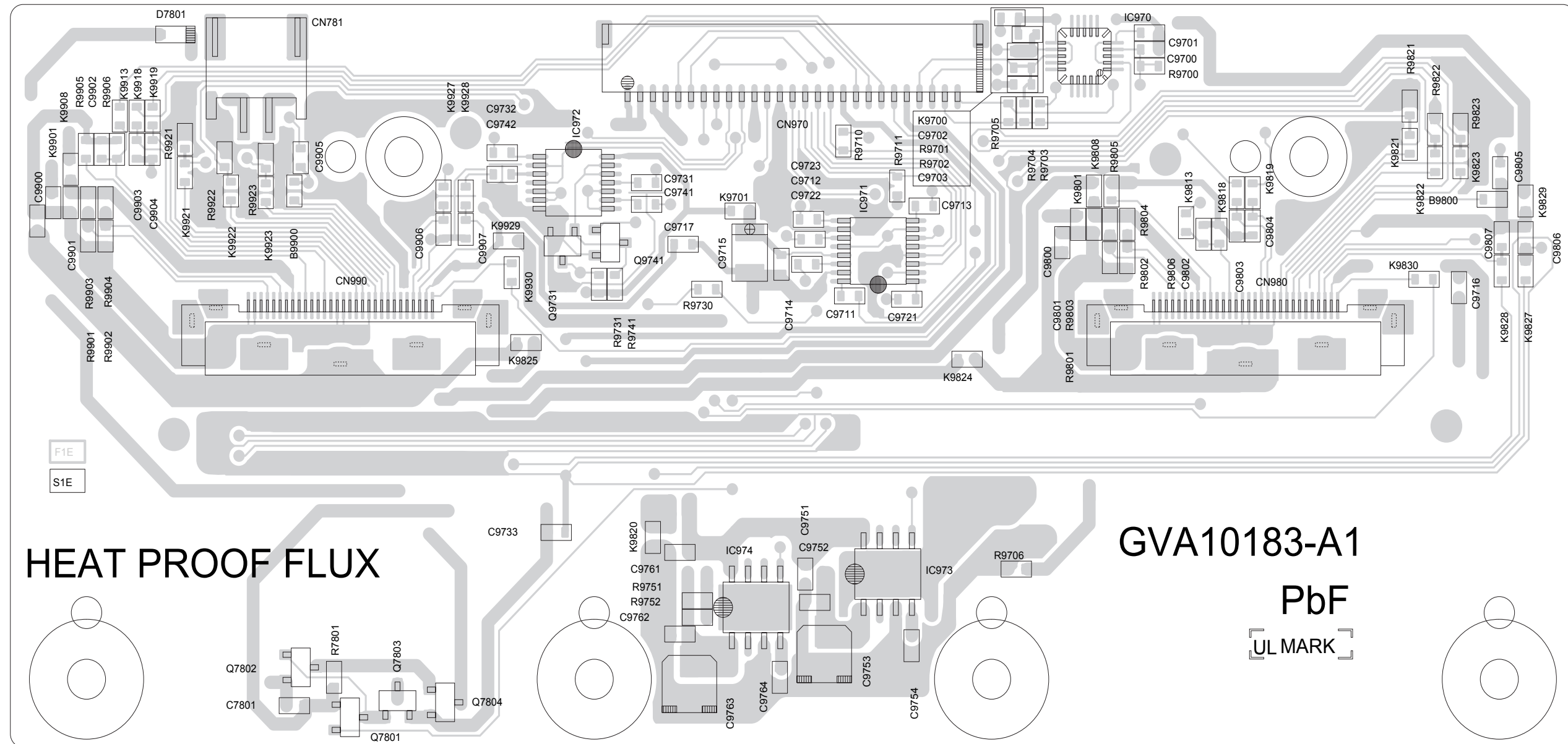
(Lead free solder used in the board (material : Sn-Cu, melting point : 230 Centigrade))



<iPod board>

(Lead free solder used in the board (material : Sn-Ag-Cu, melting point : 219 Centigrade))

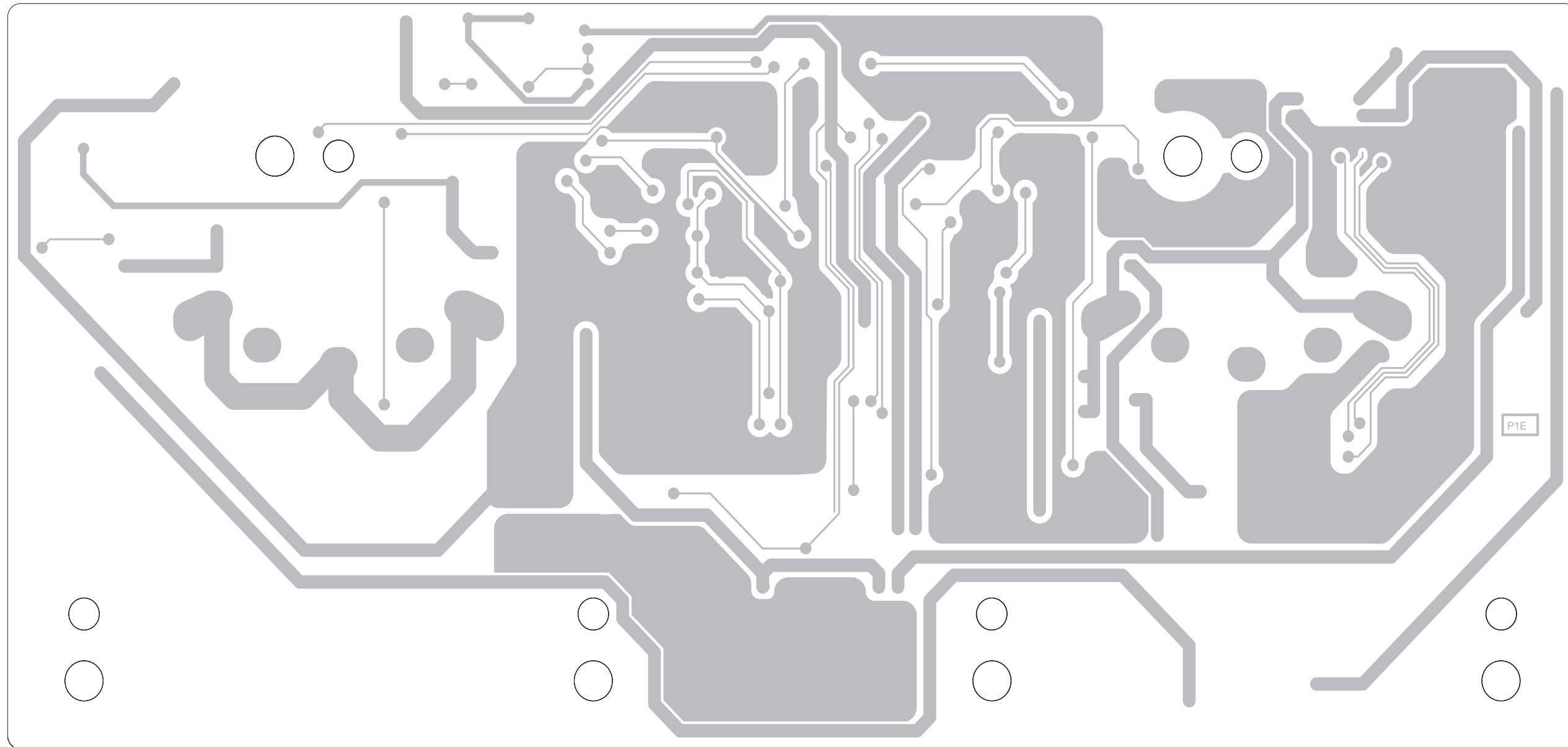
(Lead free solder used in the board (material : Sn-Cu, melting point : 230 Centigrade))



<iPod board>

(Lead free solder used in the board (material : Sn-Ag-Cu, melting point : 219 Centigrade))

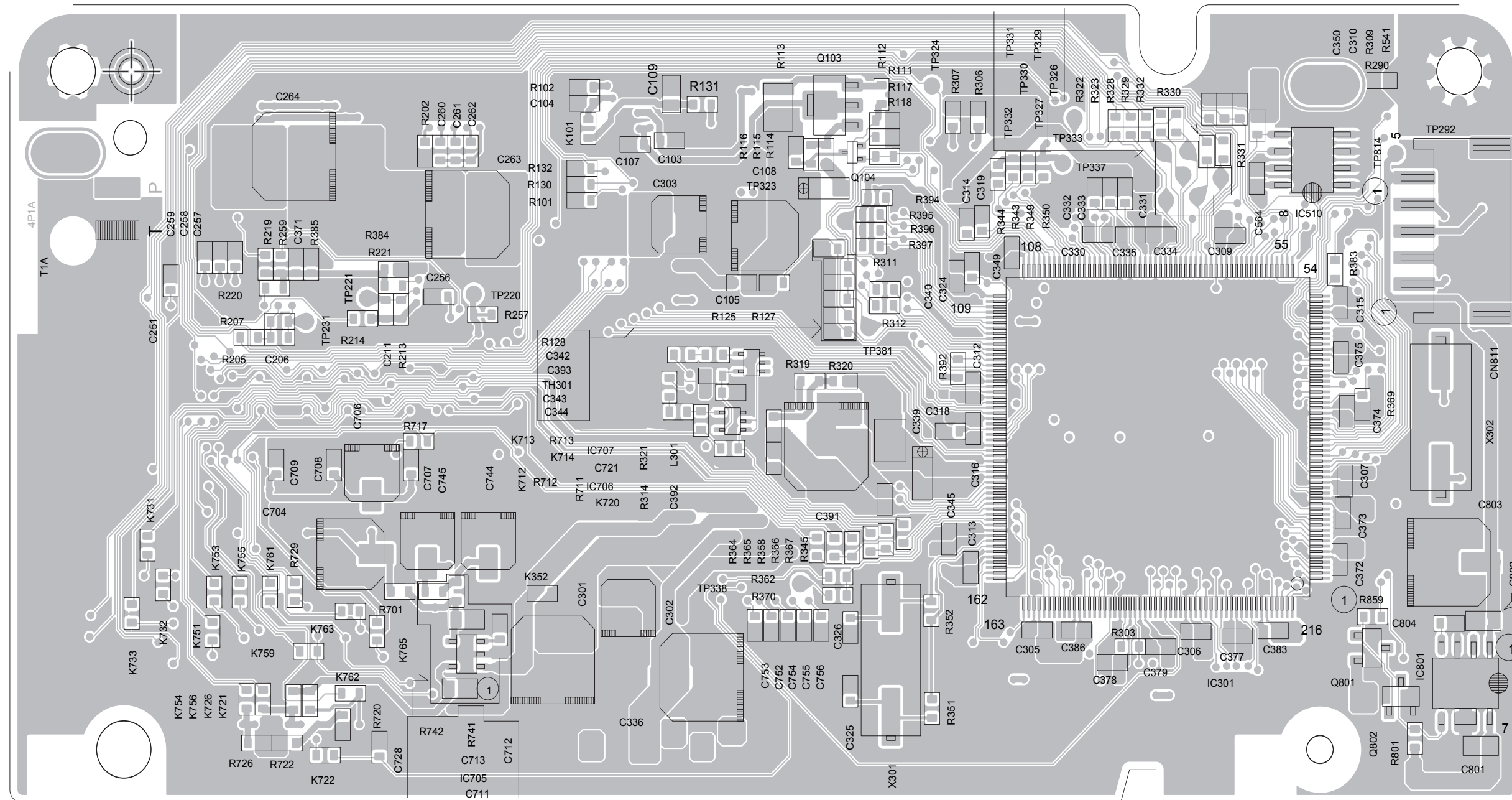
(Lead free solder used in the board (material : Sn-Cu, melting point : 230 Centigrade))



<DVD module board>

(Lead free solder used in the board (material : Sn-Ag-Cu, melting point : 219 Centigrade))

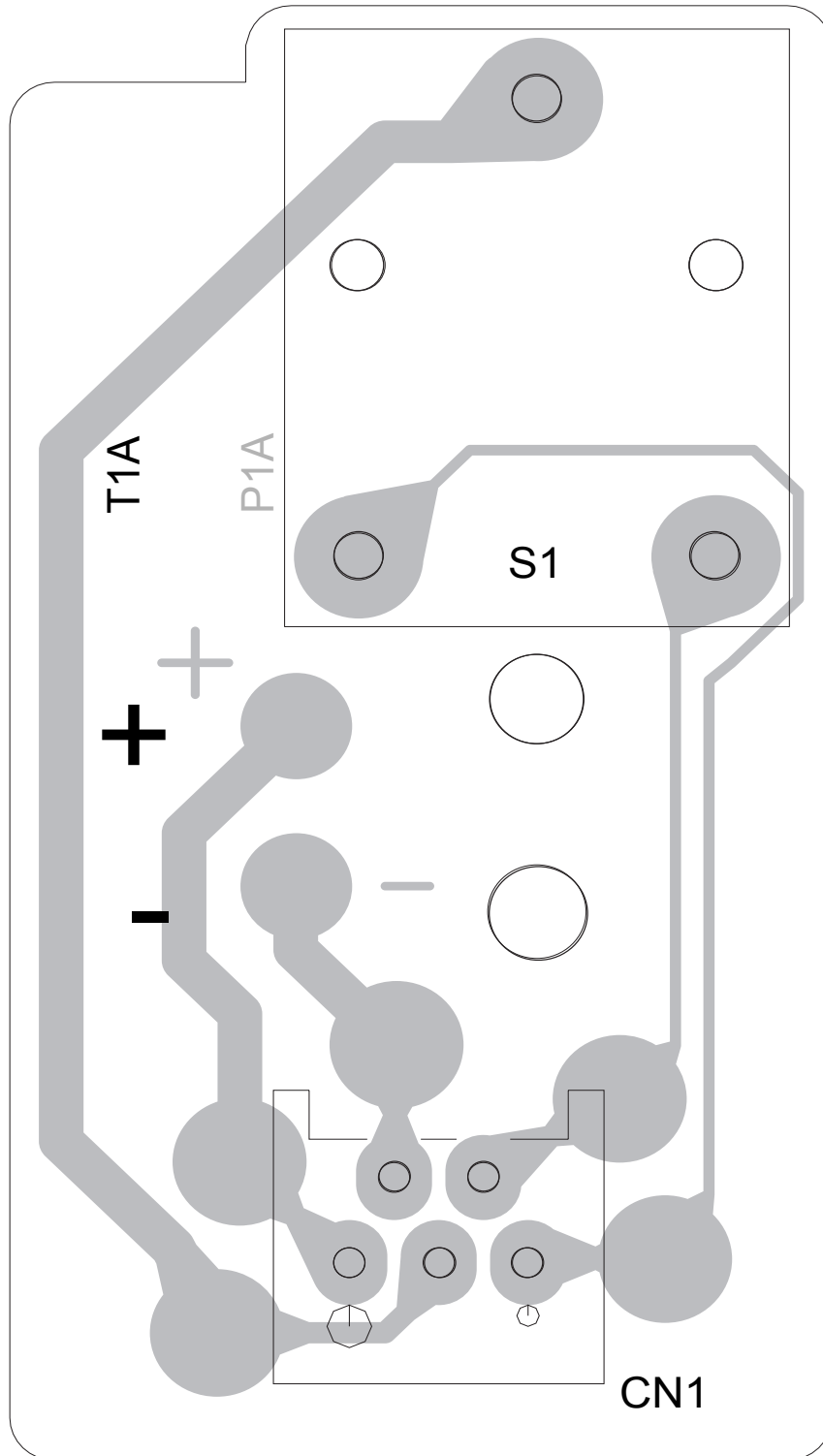
(Lead free solder used in the board (material : Sn-Cu, melting point : 230 Centigrade))



<DVD loading switch board>

(Lead free solder used in the board (material : Sn-Ag-Cu, melting point : 219 Centigrade))

(Lead free solder used in the board (material : Sn-Cu, melting point : 230 Centigrade))



JVC

PARTS LIST

COMPACT COMPONENT SYSTEM

NX-D4B

NX-D4E

NX-D4A



■ PRECAUTIONS ON SCHEMATIC DIAGRAMS

- Due to the improvement in performance, some part numbers shown in the circuit diagrams may not agree with those indicated in the Parts List.
- The parts numbers, values and rated voltage etc. in the Schematic Diagrams are for reference only.
- Since the circuit diagrams are standard ones, the circuits and circuit constants may be subject to change for improvement without any notice.

■ PRECAUTIONS ON PARTS LIST

- The parts identified by the \triangle symbol are critical for safety. Whenever replacing these parts, be sure to use specified ones to secure the safety.
- The parts not indicated in this Parts List and those which are filled with lines --- in the Parts No. columns will not be supplied.
- P.W. BOARD Ass'y will not be supplied, but those which are filled with the Parts No. in the Parts No. columns will be supplied.
- When ordering chips, screws etc., place bulk orders (unit of tens) whenever possible to improve shipping efficiency.
- There are cases where the actual implemented parts in the sets and the service parts are different. When ordering parts, make sure to refer to the Parts List.

■ PRECAUTIONS ON SERVICE

Certain parts of the power circuits and the GNDs differ according to the models. Care must be taken for the following points as the differences are indicated separately in the LIVE GND () and the ISOLATED (NEUTRAL) GND () .

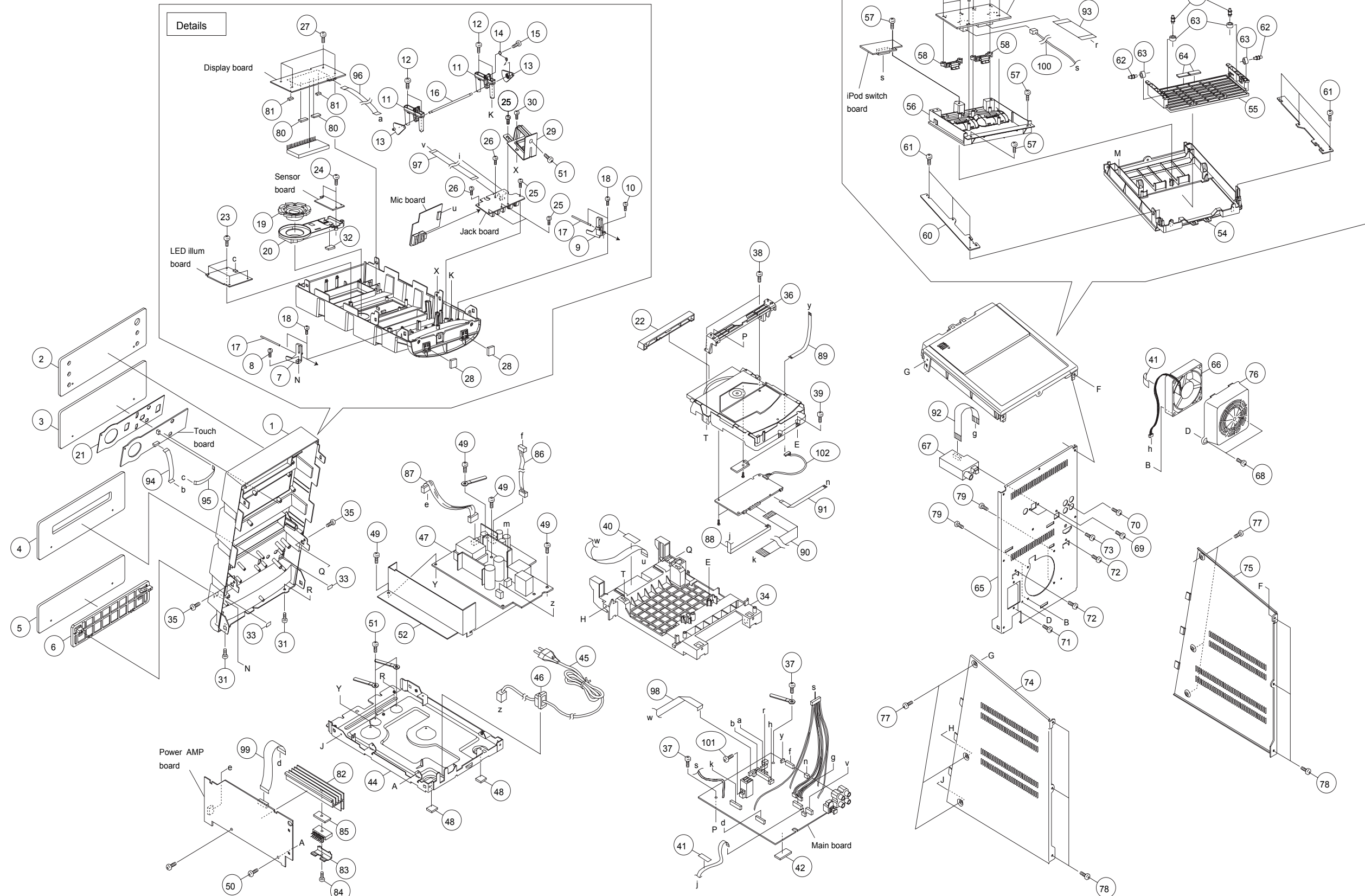
1. Do not touch the LIVE GND, or do not touch the LIVE GND and the ISOLATED (NEUTRAL) GND at the same time. It may cause an electric shock.
Before pulling out the chassis or other parts, make sure to pull out the power cord from the wall outlet first.
2. Do not short circuit between the LIVE GND and ISOLATED (NEUTRAL) GND, or never measure the LIVE GND and ISOLATED (NEUTRAL) GND at the same time using measuring instruments (oscilloscope, etc.). It may blow fuses or damage other parts.

■ DEVIATION TOLERANCE RANGE

DEVIATION TOLERANCE RANGE									
F	G	J	K	M	N	R	H	Z	P
± 1%	± 2%	± 5%	±10%	±20%	±30%	+30% -10%	+50% -10%	+80% -20%	+100% -0%

Exploded view of general assembly

Block No.M1MM



The parts without symbol number are not service.

MODEL	MARK	MODEL	MARK	MODEL	MARK
NX-D4B	A	NX-D4E	B	NX-D4A	C

Safe	Symbol No.	Parts No.	Parts Name	Description	QTY	Local
Generalassembly <M1MM>						
	1	GV10459-005A	FRONT PANEL		1	
	2	GV31327-005A	F. LENS A ASSY		1	A,B
	2	GV31327-001A	F. LENS A ASSY		1	C
	3	GV31328-002A	F. LENS B ASSY		1	
	4	GV31270-005A	FRONT LENS C		1	
	5	GV31271-006A	FRONT LENS D		1	
	6	GV31272-002A	JACK DOOR BASE		1	
	7	GV31273-001A	SLIDER ARM L		1	
	8	QYSDSF2608ZA	TAP SCREW	M2.6 x 8mm	1	
	9	GV31274-001A	SLIDER ARM R		1	
	10	QYSDSF2608ZA	TAP SCREW	M2.6 x 8mm	1	
	11	GV31275-001A	SHAFT HOLDER LR		2	
	12	QYSDSF2608ZA	TAP SCREW	M2.6 x 8mm	4	
	13	GV40870-002A	TURN SLIDER		2	
	14	GV40872-002A	SPRING R		1	
	15	GV40035-002A	SCREW		1	
	16	GV40873-001A	SHAFT		1	
	17	GV40874-001A	SHAFT L/R		2	
	18	QYSDSF2608ZA	TAP SCREW	M2.6 x 8mm	4	
	19	GV31276-002A	VOL. ILLM. LENS		1	
	20	GV31277-002A	ILLUMI. COVER		1	
	21	GV31292-003A	ILLUM. SHEET		1	
	22	GV31278-001A	TRAY FITTING		1	
	23	QYSDSF2608ZA	TAP SCREW	M2.6 x 8mm	4	
	24	QYSDSF2608ZA	TAP SCREW	M2.6 x 8mm	2	
	25	QYSDSF2608ZA	TAP SCREW	M2.6 x 8mm	4	
	26	QYSDSF2608ZA	TAP SCREW	M2.6 x 8mm	2	
	27	QYSDSF2608ZA	TAP SCREW	M2.6 x 8mm	4	
	28	GV40313-002A	FELT SPACER		2	
	29	GV31279-001A	GROUND BRACKET		1	
	30	QYSDSF2608ZA	TAP SCREW	M2.6 x 8mm	1	
	31	QYSDSG3008ZA	TAP SCREW	M3 x 8mm	2	
	32	GV30349-0A7A	SPACER		1	
	33	LV30225-0L9A	SPACER		2	
	34	GV10460-002A	MECHA CHASSIS		1	
	35	QYSBSG3012ZA	TAP SCREW	M3 x 12mm	2	
	36	GV31194-002A	PCB HOLDER		1	
	37	QYSDSG3008ZA	TAP SCREW	M3 x 8mm	2	
	38	QYSBSG3012ZA	TAP SCREW	M3 x 12mm	2	
	39	QYSBSG3012ZA	TAP SCREW	M3 x 12mm	1	
	40	GV30349-010A	SPACER		1	
	41	GV30349-026A	SPACER		2	
	42	GV30349-0A6A	SPACER		1	
	44	GV10461-001A	BOTTOM CHASSIS		1	
△	45	QMPN150-200-JC	POWER CORD(AST)	2m BLACK	1	A
△	45	QMPK200-200-JD	POWER CORD(AST)	2m BLACK	1	B
△	45	QMPG150-244-JC	POWER CORD(AST)	2.44m BLACK	1	C
	46	QZV0033-001	STRAIN RELIEF		1	
△	47	QAL1059-002	POWER UNIT ASSY		1	
	48	GV40313-002A	FELT SPACER		2	
	49	QYSDSG3008ZA	TAP SCREW	M3 x 8mm	4	
	50	QYSDSG3008ZA	TAP SCREW	M3 x 8mm	2	
	51	QYSDSG3008ZA	TAP SCREW	M3 x 8mm	3	
	52	GV31296-002A	POWER BARRIER		1	
	54	GV10462-001A	TOP COVER		1	
	55	GV20532-004A	DOOR SLIDER		1	
	56	GV20534-005A	iPod HOLDER		1	
	57	QYSDSF2608ZA	TAP SCREW	M2.6 x 8mm	3	
	58	GV40800-001A	iPod LOCK		2	
	59	QYSDSF2608ZA	TAP SCREW	M2.6 x 8mm	6	
	60	GV40876-001A	SLIDING BRACKET		2	
	61	QYSDSF2608ZA	TAP SCREW	M2.6 x 8mm	6	
	62	E407140-001SS	C.D ROLLER		4	
	63	E407149-001SS	RUBBER TUBE		4	
	64	GV40896-001A	SPECIAL SPACER		2	
	65	GV10464-032A	REAR PANEL		1	A,B
	65	GV10464-030A	REAR PANEL		1	C
	66	QAR0501-001	COOLING FAN		1	
	67	QAU0510-001	TUNER	FM/AM	1	A,B
	67	QAU0509-003	TUNER		1	C
	68	QYSDSG3008ZA	TAP SCREW	M3 x 8mm	2	
	69	QYSDSG3008ZA	TAP SCREW	M3 x 8mm	1	
	70	QYSDSG3008ZA	TAP SCREW	M3 x 8mm	1	
	71	QYSDSG3008ZA	TAP SCREW	M3 x 8mm	2	
	72	QYSDSG3008ZA	TAP SCREW	M3 x 8mm	2	
	73	QYSDSG3008ZA	TAP SCREW	M3 x 8mm	2	
	74	GV20536-001A	SIDE PANEL L		1	
	75	GV20537-001A	SIDE PANEL R		1	
	76	GV31280-001A	FAN COVER		1	
	77	QYSDSG3008NA	TAP SCREW	M3 x 8mm	6	
	78	QYSDSG3008ZA	TAP SCREW	M3 x 8mm	6	
	79	QYSBSG3012ZA	TAP SCREW	M3 x 12mm	4	
	80	GV30349-0A3A	SPACER		2	
	81	GV30349-0A8A	SPACER		2	
△	82	GV40806-005A	HEAT SINK		1	
	83	GV40805-001A	IC BRACKET		1	
	84	QYSBSG3012ZA	TAP SCREW	M3 x 12mm	1	
	85	GV40791-002A	THERMAL SHEET		1	
	86	QJJ073-062201-E	SIN CR C-C WIRE		1	
	87	QJJ028-041604-E	SIN CR C-C WIRE		1	
	88	QUR310-0528BJ-E	FFC WIRE		1	

MODEL	MARK	MODEL	MARK	MODEL	MARK
NX-D4B	A	NX-D4E	B	NX-D4A	C

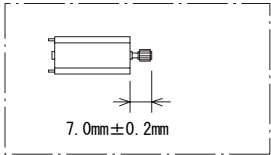
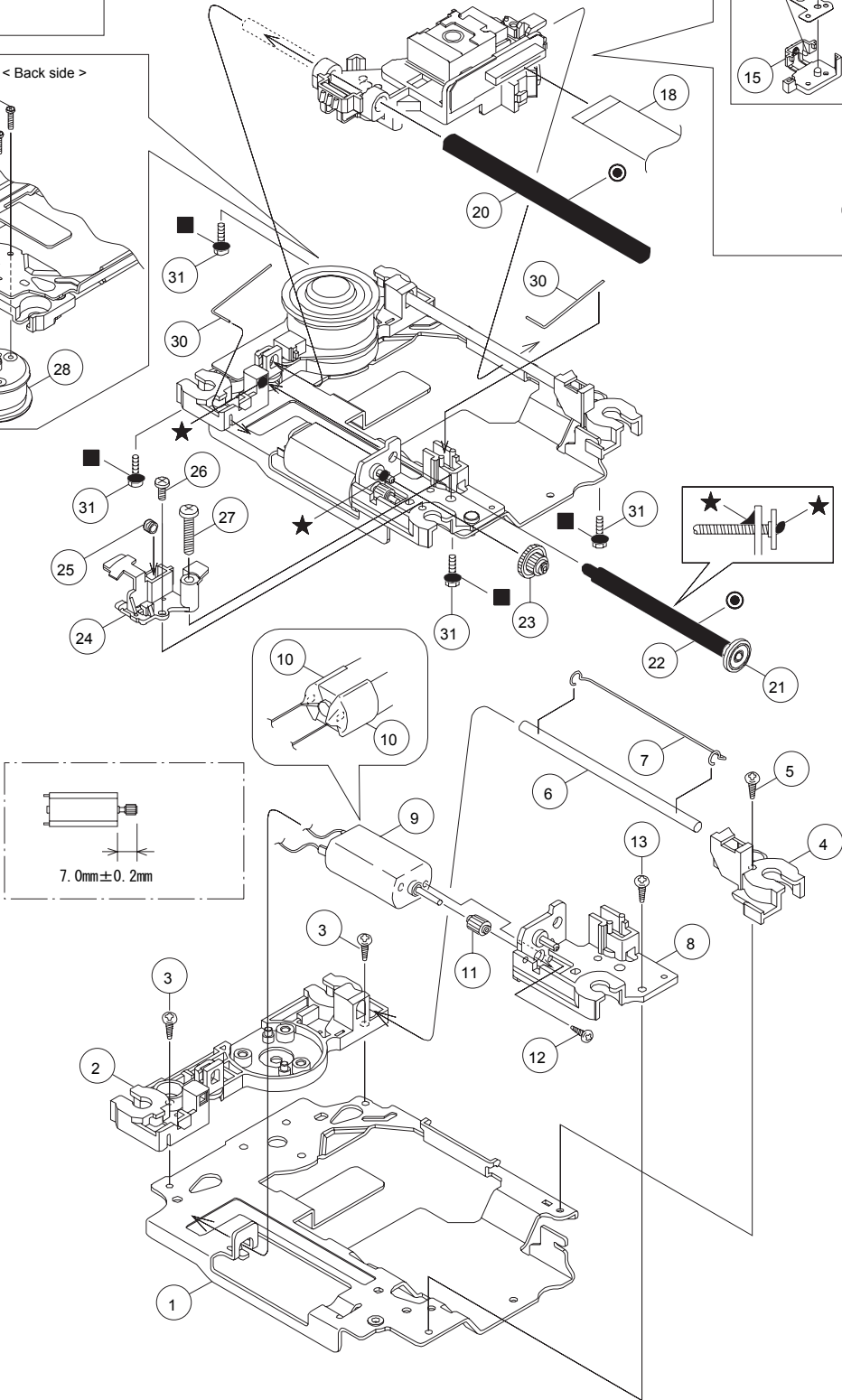
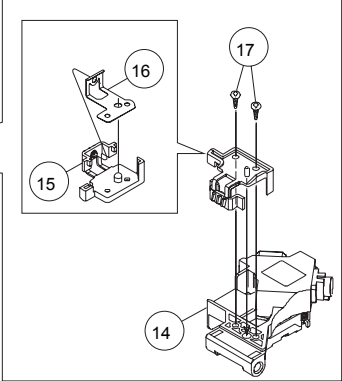
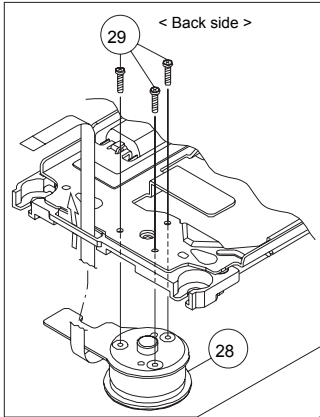
Safe	Symbol No.	Parts No.	Parts Name	Description	QTY	Local
89		QUR310-0512AJ-E	FFC WIRE		1	
90		QUR310-2524AJ-E	FFC WIRE		1	
91		QUR310-0514AJ-E	FFC WIRE		1	
92		QUQV12-1509AJ-E	FFC WIRE	15pin 9cm	1	A,B
92		QUQV12-1109AJ-E	FFC WIRE	11pin 9cm	1	C
93		QUR310-2720AJ-E	FFC WIRE		1	
94		QUR310-0912AJ-E	FFC WIRE		1	
95		QUR310-0710AJ-E	FFC WIRE		1	
96		QUQV12-1314AJ-E	FFC WIRE	13pin 14cm	1	
97		QUQV12-0734AJ-E	FFC WIRE	7pin 34cm	1	
98		QUQV12-1128AJ-E	FFC WIRE	11pin 28cm	1	
99		QUQV12-1510AJ-E	FFC WIRE	15pin 10cm	1	
100		WJZ0346-003A-E	E-HARNESS ASSY		1	
101		QYSDSG3008ZA	TAP SCREW	M3 x 8mm	1	
102		WJP0094-012A-E	E-SH C WIRE C-B		1	

DVD mechanism assembly

FXL-D10-1M

Block No.MJMM

- Grease
- ★ =JVG-31N
 - ⊙ =JVS-1003
 - =1401C



The parts without symbol number are not service.

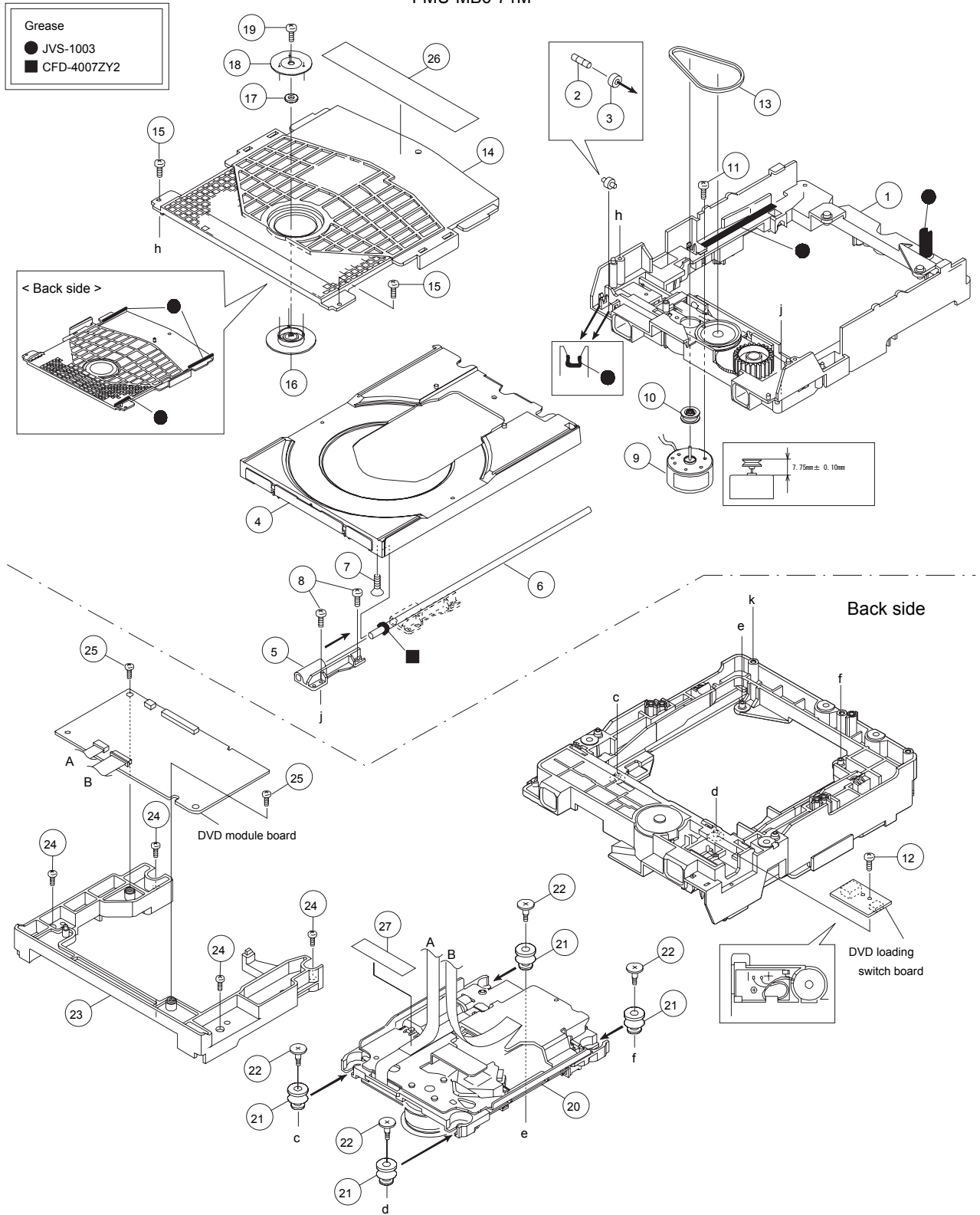
MODEL	MARK	MODEL	MARK	MODEL	MARK
NX-D4B	A	NX-D4E	B	NX-D4A	C

Safe	Symbol No.	Parts No.	Parts Name	Description	QTY	Local
FMU-MB6-71M(FXL-D10-1M) DVD mechanism <MJMM>						
1		LV22234-003A	T.M.CHASSIS		1	A,B,C
2		LV22235-002A	SPINDLE BASE		1	A,B,C
3		QYSDST2005ZA	TAP SCREW	M2 x 5mm	2	A,B,C
4		LV36555-001A	G.S.HOLDER		1	A,B,C
5		QYSDST2005ZA	TAP SCREW	M2 x 5mm	1	A,B,C
6		LV44041-002A	GUIDE SHAFT		1	A,B,C
7		LV44479-001A	BAR SPRING		1	A,B,C
8		LV22236-001A	FEED HOLDER		1	A,B,C
9		QAR0165-001	FEED MOTOR	5.0V DC	1	A,B,C
10		LV30225-0X5A	SPACER		2	A,B,C
11		LV36557-001A	F.M.GEAR		1	A,B,C
12		QYSPSPT2030MA	SCREW	M2 x 3mm	1	A,B,C
13		QYSDST2005ZA	TAP SCREW	M2 x 5mm	1	A,B,C
14		QAL0786-006	PICK UP		1	A,B,C
14	or	QAL0786-004	PICK UP		1	A,B,C
15		LV22237-001A	RACK ARM		1	A,B,C
16		LV36560-001A	RACK ARM SPRING		1	A,B,C
17		QYSPSFU1740ZA	TAP SCREW	M1.7 x 4mm	2	A,B,C
18		QUQK05-2415AC-E	FFC WIRE	24pin 15cm	1	A,B,C
20		LV44041-002A	GUIDE SHAFT		1	A,B,C
21		LV36559-001A	L.S.GEAR		1	A,B,C
22		LV41517-003A	LEAD SCREW		1	A,B,C
23		LV36558-001A	MIDDLE GEAR		1	A,B,C
24		LV36556-001A	SPRING HOLDER		1	A,B,C
25		LV44623-001A	T COMP SPRING		1	A,B,C
26		QYSDST2005ZA	TAP SCREW	M2 x 5mm	1	A,B,C
27		QYSDST2616MA	TAP SCREW	M2.6 x 16mm	1	A,B,C
28		QAR0387-002	SPINDLE MOTOR		1	A,B,C
29		QYSPSPU1775ZA	SCREW	M1.7 x 7.5mm	3	A,B,C
30		LV44042-001A	ROD SPRING		2	A,B,C
31		LV44046-001A	ADJUST SCREW		4	A,B,C

DVD loading base assembly

FMU-MB6-71M

Block No.MNMM



The parts without symbol number are not service.

MODEL	MARK	MODEL	MARK	MODEL	MARK
NX-D4B	A	NX-D4E	B	NX-D4A	C

Safe	Symbol No.	Parts No.	Parts Name	Description	QTY	Local
FMU-MB6-71M DVD loading base assembly <MNMM>						
	1	LV11065-014A	LOADER SUB ASSY		1	A,B,C
	2	E407140-001SS	C,D ROLLER		1	A,B,C
	3	E407149-001SS	RUBBER TUBE		1	A,B,C
	4	LV10979-003A	TRAY		1	A,B,C
	5	LV35499-003A	SHAFT GUIDE		1	A,B,C
	6	LV44022-001A	SHAFT		1	A,B,C
	7	QYSSSF2008ZA	TAP SCREW	M2 x 8mm	1	A,B,C
	8	QYSDSF2008ZA	TAP SCREW	M2 x 8mm	2	A,B,C
	9	QAR0197-001	MOTOR	2.0V DC	1	A,B,C
	9	or	QAR0450-001	MOTOR	1	A,B,C
	10	LV43844-002A	MOTOR PULLEY		1	A,B,C
	11	QYSPSPU1730ZA	SCREW	M1.7 x 3mm	1	A,B,C
	12	QYSDSF2008ZA	TAP SCREW	M2 x 8mm	1	A,B,C
	13	LV43974-001A	BELT		1	A,B,C
	15	QYSDSF2008ZA	TAP SCREW	M2 x 8mm	2	A,B,C
	16	LV35056-002A	DVD CLAMPER		1	A,B,C
	17	LV42930-003A	MAGNET		1	A,B,C
	17	or	LV41118-003A	MAGNET	1	A,B,C
	18	LV43848-001A	YOKE		1	A,B,C
	19	LE40906-002A-M	SPECIAL SCREW		1	A,B,C
	20	-----	DVD TRAMECHA UNIT	Please refer to BLK:MJ	1	A,B,C
	21	LV44043-001A	INSULATOR		4	A,B,C
	22	LV44044-001A	SPECIAL SCREW		4	A,B,C
	23	LV11212-003A	CB HOLDER		1	A,B,C
	24	QYSDSF2608ZA	TAP SCREW	M2.6 x 8mm	4	A,B,C
	25	LV44209-001A	WASHER SCREW		2	A,B,C
	26	LV44603-003A	LASER CAUTION		1	A,B,C
	27	LV30227-041A	SPACER		1	A,B,C
Electrical parts list Main board <01>						
△	IC100	SI-8008HFE-F3	IC		1	
	IC220	NXD4-M1172	IC(MCU)		1	A,B
	IC220	NXD4-M1170	IC(MCU)		1	C
	IC221	S-80827CNNB-G-W	IC		1	
	IC225	KTC801U/G/-X	TRANSISTOR		1	
	IC230	LB1641	IC		1	
	IC250	GP1FAV30TK0F	OPT TRANSMITTER		1	
	IC300	MM1732XV-X	IC		1	
	IC301	MM1623XF-X	IC		1	
	IC400	NJM4565E-X	IC		1	
	IC420	NJM2717M-X	IC		1	
	IC421	NJM2717M-X	IC		1	
	IC500	R2S15207FP-X	IC		1	
	IC501	NJM4565E-X	IC		1	
	IC610	TDA8920CJ/N1	IC		1	
	IC650	74HCU04PW-X	IC		1	
	IC670	RT3CLLM/EF/-X	TRANSISTOR		1	
	IC800	NJM4565E-X	IC		1	
	IC801	R2A15907SP-X	IC		1	
	IC880	GP1UE261RKC1	IR DETECT UNIT		1	
	Q1001	RT1N141C-X	DIGI TRANSISTOR		1	
	Q1200	2SC3928A/RS/-X	TRANSISTOR		1	
	Q1501	RT1N141C-X	DIGI TRANSISTOR		1	
	Q1900	RT1N141C-X	DIGI TRANSISTOR		1	
	Q2400	KTA1273/Y/-T	TRANSISTOR		1	
	Q2401	2SC3928A/RS/-X	TRANSISTOR		1	
	Q2450	2SC3928A/QR/-X	TRANSISTOR		1	
	Q5010	KTC3203/OY/-T	TRANSISTOR		1	
	Q5020	KTC3203/OY/-T	TRANSISTOR		1	
	Q5200	2SC3928A/QR/-X	TRANSISTOR		1	
	Q5201	KTC801U/G/-X	TRANSISTOR		1	
	Q5300	2SC3928A/QR/-X	TRANSISTOR		1	
	Q5301	KTC801U/G/-X	TRANSISTOR		1	
	Q5500	RT3X99M-X	TRANSISTOR		1	
	Q5510	RT1P141C-X	DIGI TRANSISTOR		1	
	Q5700	RTAN230C-X	DIGI TRANSISTOR		1	
	Q6200	2SC3928A/RS/-X	TRANSISTOR		1	
	Q6220	KRA101S-X	DIGI TRANSISTOR		1	
	Q6500	RT1N141C-X	DIGI TRANSISTOR		1	
	D1002	FMB-24	FUSEIODE		1	
	D1101	SK34A-X	SB DIODE		1	
	D1102	SK19-X	SB DIODE		1	
	D1103	SK26A-X	SB DIODE		1	
	D1104	SK14-GA-X	SB DIODE		1	
	D1105	BZT55C10-X	MELF.Z.DIODE		1	
	D1200	FR104S-T5	FR DIODE		1	
	D1206	RKZ36BKG-X	Z DIODE		1	
	D1207	RKZ2.4BKG-X	Z DIODE		1	
	D1208	SK14-GA-X	SB DIODE		1	
	D1400	1N4003S-T5	SI DIODE		1	
	D1501	MC2836-X	DIODE		1	
	D1502	MC2836-X	DIODE		1	
	D1503	1SS355W-X	DIODE		1	
	D1504	RKZ6.8B2KG-X	Z DIODE		1	
	D1700	1SS355W-X	DIODE		1	
	D2194	1SS355W-X	DIODE		1	
	D2300	RKZ4.7B2KG-X	Z DIODE		1	
	D2400	1SS355W-X	DIODE		1	
	D2500	1SS355W-X	DIODE		1	
	D5010	RKZ10B2KG-X	Z DIODE		1	
	D5020	RKZ6.2B2KG-X	Z DIODE		1	

MODEL	MARK	MODEL	MARK	MODEL	MARK
NX-D4B	A	NX-D4E	B	NX-D4A	C

Safe	Symbol No.	Parts No.	Parts Name	Description	QTY	Local
	D5021	1SS355W-X	DIODE		1	
	D5450	1SS355W-X	DIODE		1	
	D5451	1SS355W-X	DIODE		1	
	D5701	1SS355W-X	DIODE		1	
	D6000	1SS355W-X	DIODE		1	
	D6098	1SS355W-X	DIODE		1	
	D6200	GN1J-X	DIODE		1	
	D6215	BZT55C10-X	MELF.Z.DIODE		1	
	D6220	RKZ3.6B2KG-X	Z DIODE		1	
	D6221	RKZ15B2KG-X	Z DIODE		1	
	D6222	1SS355W-X	DIODE		1	
	D6501	1SS355W-X	DIODE		1	
	D6502	1SS355W-X	DIODE		1	
	D6701	1SS355W-X	DIODE		1	
	D6801	MC2838-X	DIODE		1	
	D6803	RKZ3.9B2KG-X	Z DIODE		1	
	D6901	MC2838-X	DIODE		1	
	D8000	1SS355W-X	DIODE		1	
	D8001	RKZ3.9B2KG-X	Z DIODE		1	
	D8002	1SS355W-X	DIODE		1	
	D8003	1SS355W-X	DIODE		1	
	D8004	1SS355W-X	DIODE		1	
	D8301	STZC6.8N-X	Z DIODE		1	
	D8302	1SS355W-X	DIODE		1	A,B
	D8303	1SS355W-X	DIODE		1	A,B
	D8400	1SS355W-X	DIODE		1	
	D8401	1SS355W-X	DIODE		1	
	D8450	1SS355W-X	DIODE		1	
	D8451	1SS355W-X	DIODE		1	
	D8900	SIR-34STA49-T	IR LED		1	
	D8950	SLI-343U8RC-T	LED		1	
	C1000	QEZ0908-687	E CAPACITOR	680uF	1	
	C1001	QFVC1HJ-474Z	MF CAPACITOR	0.47uF 50V J	1	
	C1002	NCB31HK-104X	C CAPACITOR	0.1uF 50V K	1	
	C1100	QEZ0907-108	E CAPACITOR	1000uF	1	
	C1101	QEZ0899-337Z	E CAPACITOR	330uF	1	
	C1102	QEZ0899-477Z	E CAPACITOR	470uF	1	
	C1103	QEZ0897-108Z	E CAPACITOR	1000uF	1	
	C1104	QEZ0897-108Z	E CAPACITOR	1000uF	1	
	C1200	QCZ0136-101Z	C CAPACITOR	100pF 1kV K	1	
	C1201	QEZ0900-396Z	E CAPACITOR	39uF	1	
	C1202	NCB31HK-104X	C CAPACITOR	0.1uF 50V K	1	
	C1203	NCB31HK-104X	C CAPACITOR	0.1uF 50V K	1	
	C1204	QETN1HM-226Z	E CAPACITOR	22uF 50V M	1	
	C1205	QEZ0898-337Z	E CAPACITOR	330uF	1	
	C1302	NCB31CK-105X	C CAPACITOR	1uF 16V K	1	
	C1401	QETN1AM-477Z	E CAPACITOR	470uF 10V M	1	
	C1700	QETN1HM-106Z	E CAPACITOR	10uF 50V M	1	
	C1701	NCB31HK-222X	C CAPACITOR	2200pF 50V K	1	
	C1800	QETN1CM-107Z	E CAPACITOR	100uF 16V M	1	
	C2012	NDC31HJ-180X	C CAPACITOR	18pF 50V J	1	
	C2013	NDC31HJ-330X	C CAPACITOR	33pF 50V J	1	
	C2017	QETN1CM-107Z	E CAPACITOR	100uF 16V M	1	
	C2018	NCB31HK-104X	C CAPACITOR	0.1uF 50V K	1	
	C2019	NCB31CK-104X	C CAPACITOR	0.1uF 16V K	1	
	C2037	NCB31CK-105X	C CAPACITOR	1uF 16V K	1	
	C2089	NCB31HK-104X	C CAPACITOR	0.1uF 50V K	1	
	C2094	NCB31CK-104X	C CAPACITOR	0.1uF 16V K	1	
	C2117	NCB31CK-104X	C CAPACITOR	0.1uF 16V K	1	
	C2200	NCB31HK-103X	C CAPACITOR	0.01uF 50V K	1	
	C2300	NCB31CK-104X	C CAPACITOR	0.1uF 16V K	1	
	C2301	NCB31CK-104X	C CAPACITOR	0.1uF 16V K	1	
	C2400	QETN1HM-106Z	E CAPACITOR	10uF 50V M	1	
	C2401	NCB31CK-105X	C CAPACITOR	1uF 16V K	1	
	C2451	QETN1CM-107Z	E CAPACITOR	100uF 16V M	1	
	C2500	NCB31CK-104X	C CAPACITOR	0.1uF 16V K	1	
	C2601	NCB31HK-102X	C CAPACITOR	1000pF 50V K	1	
	C2611	NCB31HK-102X	C CAPACITOR	1000pF 50V K	1	
	C3000	NCB31CK-105X	C CAPACITOR	1uF 16V K	1	
	C3001	NCB31CK-105X	C CAPACITOR	1uF 16V K	1	
	C3002	NCB31CK-105X	C CAPACITOR	1uF 16V K	1	
	C3003	NCB31CK-105X	C CAPACITOR	1uF 16V K	1	
	C3004	NCB31CK-105X	C CAPACITOR	1uF 16V K	1	
	C3005	NCB31CK-105X	C CAPACITOR	1uF 16V K	1	
	C3006	NCB31CK-105X	C CAPACITOR	1uF 16V K	1	
	C3007	NCB31CK-105X	C CAPACITOR	1uF 16V K	1	
	C3008	NCB31CK-105X	C CAPACITOR	1uF 16V K	1	
	C3013	NCB31CK-105X	C CAPACITOR	1uF 16V K	1	
	C3014	NCB31CK-105X	C CAPACITOR	1uF 16V K	1	
	C3015	NCB31CK-105X	C CAPACITOR	1uF 16V K	1	
	C3016	QETN1HM-226Z	E CAPACITOR	22uF 50V M	1	
	C3018	NCB31CK-104X	C CAPACITOR	0.1uF 16V K	1	
	C3019	QETN1CM-107Z	E CAPACITOR	100uF 16V M	1	
	C3024	QETN1AM-477Z	E CAPACITOR	470uF 10V M	1	
	C3025	QETN1AM-477Z	E CAPACITOR	470uF 10V M	1	
	C3026	QETN1AM-477Z	E CAPACITOR	470uF 10V M	1	
	C3027	QETN1AM-477Z	E CAPACITOR	470uF 10V M	1	
	C3028	NDC31HJ-470X	C CAPACITOR	47pF 50V J	1	
	C3029	NDC31HJ-470X	C CAPACITOR	47pF 50V J	1	
	C3030	NDC31HJ-470X	C CAPACITOR	47pF 50V J	1	
	C3031	NDC31HJ-470X	C CAPACITOR	47pF 50V J	1	
	C4004	NCB31CK-104X	C CAPACITOR	0.1uF 16V K	1	
	C4011	QETN1CM-107Z	E CAPACITOR	100uF 16V M	1	

MODEL	MARK	MODEL	MARK	MODEL	MARK
NX-D4B	A	NX-D4E	B	NX-D4A	C

Safe	Symbol No.	Parts No.	Parts Name	Description	QTY	Local
	C4251	QETN1EM-476Z	E CAPACITOR	47uF 25V M	1	
	C4252	QETN1EM-476Z	E CAPACITOR	47uF 25V M	1	
	C4254	NDC31HJ-100X	C CAPACITOR	10pF 50V J	1	
	C4255	NDC31HJ-100X	C CAPACITOR	10pF 50V J	1	
	C4257	NRSA63J-0R0X	MG RESISTOR	0Ω 1/10W J	1	
	C4259	NRSA63J-0R0X	MG RESISTOR	0Ω 1/10W J	1	
	C4261	QETN1EM-476Z	E CAPACITOR	47uF 25V M	1	
	C4262	QETN1EM-476Z	E CAPACITOR	47uF 25V M	1	
	C4264	NDC31HJ-100X	C CAPACITOR	10pF 50V J	1	
	C4265	NDC31HJ-100X	C CAPACITOR	10pF 50V J	1	
	C4267	NRSA63J-0R0X	MG RESISTOR	0Ω 1/10W J	1	
	C4271	QETN1EM-476Z	E CAPACITOR	47uF 25V M	1	
	C4272	QETN1EM-476Z	E CAPACITOR	47uF 25V M	1	
	C4274	NDC31HJ-100X	C CAPACITOR	10pF 50V J	1	
	C4275	NDC31HJ-100X	C CAPACITOR	10pF 50V J	1	
	C4276	NCB21CK-105X	C CAPACITOR	1uF 16V K	1	
	C4277	QETN1EM-476Z	E CAPACITOR	47uF 25V M	1	
	C4300	QEZ0863-106Z	M CAPACITOR	10uF	1	
	C4301	NDC31HJ-100X	C CAPACITOR	10pF 50V J	1	
	C4302	NDC31HJ-101X	C CAPACITOR	100pF 50V J	1	
	C4303	NDC31HJ-101X	C CAPACITOR	100pF 50V J	1	
	C4400	QEZ0863-106Z	M CAPACITOR	10uF	1	
	C4401	NDC31HJ-100X	C CAPACITOR	10pF 50V J	1	
	C4402	NDC31HJ-101X	C CAPACITOR	100pF 50V J	1	
	C4403	NDC31HJ-101X	C CAPACITOR	100pF 50V J	1	
	C4500	NCB31HK-473X	C CAPACITOR	0.047uF 50V K	1	
	C4501	QETN1CM-107Z	E CAPACITOR	100uF 16V M	1	
	C4502	QETN1CM-107Z	E CAPACITOR	100uF 16V M	1	
	C4503	NCB31CK-104X	C CAPACITOR	0.1uF 16V K	1	
	C5010	QETN1CM-107Z	E CAPACITOR	100uF 16V M	1	
	C5011	NCB31CK-105X	C CAPACITOR	1uF 16V K	1	
	C5012	QETN1AM-227Z	E CAPACITOR	220uF 10V M	1	
	C5020	QEZ0863-226Z	E CAPACITOR	22uF	1	
	C5021	NCB31CK-105X	C CAPACITOR	1uF 16V K	1	
	C5101	QEZ0863-226Z	E CAPACITOR	22uF	1	
	C5102	NCB31HK-102X	C CAPACITOR	1000pF 50V K	1	
	C5103	QETN1AM-227Z	E CAPACITOR	220uF 10V M	1	
	C5111	QEZ0863-226Z	E CAPACITOR	22uF	1	
	C5112	NCB31HK-102X	C CAPACITOR	1000pF 50V K	1	
	C5200	QEZ0863-106Z	M CAPACITOR	10uF	1	
	C5201	QEZ0863-106Z	M CAPACITOR	10uF	1	
	C5202	QEZ0863-106Z	M CAPACITOR	10uF	1	
	C5203	QEZ0863-106Z	M CAPACITOR	10uF	1	
	C5204	QEZ0863-106Z	M CAPACITOR	10uF	1	
	C5205	QEZ0863-225Z	E CAPACITOR	2.2uF	1	
	C5206	QFVC1HJ-334Z	MF CAPACITOR	0.33uF 50V J	1	
	C5207	QFG32AJ-332Z	PP CAPACITOR	3300pF 100V J	1	
	C5208	QFVC1HJ-334Z	MF CAPACITOR	0.33uF 50V J	1	
	C5209	QFVC1HJ-334Z	MF CAPACITOR	0.33uF 50V J	1	
	C5210	QFNC2AJ-104Z	M CAPACITOR	0.1uF 100V J	1	
	C5211	QFVC1HJ-154Z	MF CAPACITOR	0.15uF 50V J	1	
	C5212	QEZ0863-106Z	M CAPACITOR	10uF	1	
	C5213	NCB31HK-471X	C CAPACITOR	470pF 50V K	1	
	C5300	QEZ0863-106Z	M CAPACITOR	10uF	1	
	C5301	QEZ0863-106Z	M CAPACITOR	10uF	1	
	C5302	QEZ0863-106Z	M CAPACITOR	10uF	1	
	C5303	QEZ0863-106Z	M CAPACITOR	10uF	1	
	C5304	QEZ0863-106Z	M CAPACITOR	10uF	1	
	C5305	QEZ0863-225Z	E CAPACITOR	2.2uF	1	
	C5306	QFVC1HJ-334Z	MF CAPACITOR	0.33uF 50V J	1	
	C5307	QFG32AJ-332Z	PP CAPACITOR	3300pF 100V J	1	
	C5308	QFVC1HJ-334Z	MF CAPACITOR	0.33uF 50V J	1	
	C5309	QFVC1HJ-334Z	MF CAPACITOR	0.33uF 50V J	1	
	C5310	QFNC2AJ-104Z	M CAPACITOR	0.1uF 100V J	1	
	C5311	QFVC1HJ-154Z	MF CAPACITOR	0.15uF 50V J	1	
	C5312	QEZ0863-106Z	M CAPACITOR	10uF	1	
	C5313	NCB31HK-471X	C CAPACITOR	470pF 50V K	1	
	C5400	QETN1CM-107Z	E CAPACITOR	100uF 16V M	1	
	C5401	QETN1HM-105Z	E CAPACITOR	1uF 50V M	1	
	C5402	NCB31HK-473X	C CAPACITOR	0.047uF 50V K	1	
	C5403	QETN1CM-107Z	E CAPACITOR	100uF 16V M	1	
	C5404	NDC31HJ-101X	C CAPACITOR	100pF 50V J	1	
	C5405	NDC31HJ-101X	C CAPACITOR	100pF 50V J	1	
	C5408	NCB31CK-104X	C CAPACITOR	0.1uF 16V K	1	
	C5409	NCB31HK-103X	C CAPACITOR	0.01uF 50V K	1	
	C5450	QEZ0863-106Z	M CAPACITOR	10uF	1	
	C5451	NCB31CK-154X	C CAPACITOR	0.15uF 16V K	1	
	C5453	QETN1HM-105Z	E CAPACITOR	1uF 50V M	1	
	C5501	NDC31HJ-270X	C CAPACITOR	27pF 50V J	1	
	C5502	QEZ0863-226Z	E CAPACITOR	22uF	1	
	C5511	NDC31HJ-270X	C CAPACITOR	27pF 50V J	1	
	C5512	QEZ0863-226Z	E CAPACITOR	22uF	1	
	C5550	QETN1CM-107Z	E CAPACITOR	100uF 16V M	1	
	C5551	QETN1HM-105Z	E CAPACITOR	1uF 50V M	1	
	C5552	NCB31CK-104X	C CAPACITOR	0.1uF 16V K	1	
	C5553	NCB31CK-104X	C CAPACITOR	0.1uF 16V K	1	
	C5554	QETN1CM-107Z	E CAPACITOR	100uF 16V M	1	
	C5700	QETN1HM-105Z	E CAPACITOR	1uF 50V M	1	
	C5701	QETN1CM-107Z	E CAPACITOR	100uF 16V M	1	
	C5702	QETN1HM-105Z	E CAPACITOR	1uF 50V M	1	
	C6001	NDC31HJ-221X	C CAPACITOR	220pF 50V J	1	
	C6002	NCB31CK-474X	C CAPACITOR	0.47uF 16V K	1	

MODEL	MARK	MODEL	MARK	MODEL	MARK
NX-D4B	A	NX-D4E	B	NX-D4A	C

Safe	Symbol No.	Parts No.	Parts Name	Description	QTY	Local
	C6003	NCB31CK-474X	C CAPACITOR	0.47uF 16V K	1	
	C6005	NCB31CK-104X	C CAPACITOR	0.1uF 16V K	1	
	C6008	NDC31HJ-100X	C CAPACITOR	10pF 50V J	1	
	C6009	NCB31HK-153X	C CAPACITOR	0.015uF 50V K	1	
	C6010	NCB31HK-104X	C CAPACITOR	0.1uF 50V K	1	
	C6011	NCB31HK-104X	C CAPACITOR	0.1uF 50V K	1	
	C6012	NCZ1061-104X	C CAPACITOR	0.1uF 100V K	1	
	C6013	QETN2AM-476Z	E CAPACITOR	47uF 100V M	1	
	C6014	NDC31HJ-221X	C CAPACITOR	220pF 50V J	1	
	C6015	NCB31CK-474X	C CAPACITOR	0.47uF 16V K	1	
	C6016	NDC31HJ-221X	C CAPACITOR	220pF 50V J	1	
	C6027	QFVC1HJ-684Z	MF CAPACITOR	0.68uF 50V J	1	
	C6028	NCB31HK-104X	C CAPACITOR	0.1uF 50V K	1	
	C6070	NCB31HK-104X	C CAPACITOR	0.1uF 50V K	1	
	C6071	NCB31HK-104X	C CAPACITOR	0.1uF 50V K	1	
	C6080	NCB31HK-104X	C CAPACITOR	0.1uF 50V K	1	
	C6081	NCB31HK-104X	C CAPACITOR	0.1uF 50V K	1	
	C6082	NRSA63J-0R0X	MG RESISTOR	0Ω 1/10W J	1	
	C6084	NCB31CK-104X	C CAPACITOR	0.1uF 16V K	1	
	C6098	QETN1HM-106Z	E CAPACITOR	10uF 50V M	1	
	C6101	NDC31HJ-221X	C CAPACITOR	220pF 50V J	1	
	C6102	NCB31CK-474X	C CAPACITOR	0.47uF 16V K	1	
	C6103	NCB31CK-474X	C CAPACITOR	0.47uF 16V K	1	
	C6106	NCB31HK-104X	C CAPACITOR	0.1uF 50V K	1	
	C6107	NCB31HK-104X	C CAPACITOR	0.1uF 50V K	1	
	C6109	NCB31HK-153X	C CAPACITOR	0.015uF 50V K	1	
	C6110	NCB31HK-104X	C CAPACITOR	0.1uF 50V K	1	
	C6111	NCB31HK-104X	C CAPACITOR	0.1uF 50V K	1	
	C6112	NCZ1061-104X	C CAPACITOR	0.1uF 100V K	1	
	C6114	NDC31HJ-221X	C CAPACITOR	220pF 50V J	1	
	C6116	NDC31HJ-221X	C CAPACITOR	220pF 50V J	1	
	C6127	QFVC1HJ-684Z	MF CAPACITOR	0.68uF 50V J	1	
	C6128	NCB31HK-104X	C CAPACITOR	0.1uF 50V K	1	
	C6201	NCB31HK-104X	C CAPACITOR	0.1uF 50V K	1	
	C6202	NCB31HK-104X	C CAPACITOR	0.1uF 50V K	1	
	C6203	QEZ0743-478	E CAPACITOR	4700uF 35V M	1	
	C6204	QEZ0743-478	E CAPACITOR	4700uF 35V M	1	
	C6207	QETN1VM-477Z	E CAPACITOR	470uF 35V M	1	
	C6208	QETN1VM-477Z	E CAPACITOR	470uF 35V M	1	
	C6209	NCB31HK-104X	C CAPACITOR	0.1uF 50V K	1	
	C6210	NCB31HK-104X	C CAPACITOR	0.1uF 50V K	1	
	C6211	NCB31HK-104X	C CAPACITOR	0.1uF 50V K	1	
	C6217	NCB31HK-104X	C CAPACITOR	0.1uF 50V K	1	
	C6218	NCB31HK-104X	C CAPACITOR	0.1uF 50V K	1	
	C6501	NCB31HK-103X	C CAPACITOR	0.01uF 50V K	1	
	C6502	NCB31HK-103X	C CAPACITOR	0.01uF 50V K	1	
	C6503	NDC31HJ-101X	C CAPACITOR	100pF 50V J	1	
	C6504	NDC31HJ-101X	C CAPACITOR	100pF 50V J	1	
	C6505	NDC31HJ-101X	C CAPACITOR	100pF 50V J	1	
	C6506	NDC31HJ-101X	C CAPACITOR	100pF 50V J	1	
	C6507	NDC31HJ-470X	C CAPACITOR	47pF 50V J	1	
	C6508	NDC31HJ-470X	C CAPACITOR	47pF 50V J	1	
	C6509	NCB31HK-104X	C CAPACITOR	0.1uF 50V K	1	
	C6510	QETN1HM-107Z	E CAPACITOR	100uF 50V M	1	
	C6701	QETN1HM-106Z	E CAPACITOR	10uF 50V M	1	
	C6805	QETN1HM-106Z	E CAPACITOR	10uF 50V M	1	
	C6972	NRSA63J-0R0X	MG RESISTOR	0Ω 1/10W J	1	
	C8000	QETN1CM-107Z	E CAPACITOR	100uF 16V M	1	
	C8001	NCB31CK-105X	C CAPACITOR	1uF 16V K	1	
	C8002	NCB31CK-105X	C CAPACITOR	1uF 16V K	1	
	C8003	QETN1CM-107Z	E CAPACITOR	100uF 16V M	1	
	C8004	QETN1HM-106Z	E CAPACITOR	10uF 50V M	1	
	C8005	NCB31CK-105X	C CAPACITOR	1uF 16V K	1	
	C8006	QETN1HM-105Z	E CAPACITOR	1uF 50V M	1	
	C8007	NCB31CK-105X	C CAPACITOR	1uF 16V K	1	
	C8008	NCB31HK-102X	C CAPACITOR	1000pF 50V K	1	
	C8009	NCB31HK-102X	C CAPACITOR	1000pF 50V K	1	
	C8010	NCB31HK-104X	C CAPACITOR	0.1uF 50V K	1	
	C8011	NCB31CK-105X	C CAPACITOR	1uF 16V K	1	
	C8012	NCB31HK-333X	C CAPACITOR	0.033uF 50V K	1	
	C8013	NCB31HK-103X	C CAPACITOR	0.01uF 50V K	1	
	C8014	QETN1HM-475Z	E CAPACITOR	4.7uF 50V M	1	
	C8015	NCB31CK-224X	C CAPACITOR	0.22uF 16V K	1	
	C8016	NDC31HJ-101X	C CAPACITOR	100pF 50V J	1	
	C8017	NCB31CK-105X	C CAPACITOR	1uF 16V K	1	
	C8018	NCB31HK-681X	C CAPACITOR	680pF 50V K	1	
	C8019	NCB31HK-332X	C CAPACITOR	3300pF 50V K	1	
	C8020	QETN1HM-105Z	E CAPACITOR	1uF 50V M	1	
	C8021	NCB31CK-104X	C CAPACITOR	0.1uF 16V K	1	
	C8023	NCB31CK-105X	C CAPACITOR	1uF 16V K	1	
	C8024	NCB31HK-681X	C CAPACITOR	680pF 50V K	1	
	C8025	NCB31HK-332X	C CAPACITOR	3300pF 50V K	1	
	C8026	NCB31CK-104X	C CAPACITOR	0.1uF 16V K	1	
	C8027	NCB31CK-104X	C CAPACITOR	0.1uF 16V K	1	
	C8028	NCB31CK-104X	C CAPACITOR	0.1uF 16V K	1	
	C8029	NCB31CK-104X	C CAPACITOR	0.1uF 16V K	1	
	C8032	NCB31CK-104X	C CAPACITOR	0.1uF 16V K	1	
	C8033	NCB31HK-152X	C CAPACITOR	1500pF 50V K	1	
	C8034	QETN1HM-106Z	E CAPACITOR	10uF 50V M	1	
	C8035	NDC31HJ-100X	C CAPACITOR	10pF 50V J	1	
	C8036	NCB31HK-102X	C CAPACITOR	1000pF 50V K	1	
	C8037	NCB31CK-104X	C CAPACITOR	0.1uF 16V K	1	
	C8038	QETN1CM-107Z	E CAPACITOR	100uF 16V M	1	

MODEL	MARK	MODEL	MARK	MODEL	MARK
NX-D4B	A	NX-D4E	B	NX-D4A	C

Safe	Symbol No.	Parts No.	Parts Name	Description	QTY	Local
	C8039	NCB31HK-102X	C CAPACITOR	1000pF 50V K	1	
	C8040	NCB31CK-104X	C CAPACITOR	0.1uF 16V K	1	
	C8300	NCB31HK-182X	C CAPACITOR	1800pF 50V K	1	
	C8301	NDC31HJ-150X	C CAPACITOR	15pF 50V J	1	A,B
	C8302	NDC31HJ-150X	C CAPACITOR	15pF 50V J	1	A,B
	C8303	NCB31CK-104X	C CAPACITOR	0.1uF 16V K	1	
	C8304	NCB31CK-104X	C CAPACITOR	0.1uF 16V K	1	A,B
	C8400	NCB31CK-104X	C CAPACITOR	0.1uF 16V K	1	A,B
	C8401	NCB31HK-103X	C CAPACITOR	0.01uF 50V K	1	
	C8402	NCB31CK-104X	C CAPACITOR	0.1uF 16V K	1	
	C8403	NCB31CK-104X	C CAPACITOR	0.1uF 16V K	1	
	C8404	NCB31CK-104X	C CAPACITOR	0.1uF 16V K	1	A,B
	C8405	NCB31CK-104X	C CAPACITOR	0.1uF 16V K	1	A,B
	C8450	NCB31HK-102X	C CAPACITOR	1000pF 50V K	1	A,B
	C8450	NCB31CK-104X	C CAPACITOR	0.1uF 16V K	1	C
	C8702	NCF21HZ-105X	C CAPACITOR	1uF 50V Z	1	
	C8710	NCB31CK-104X	C CAPACITOR	0.1uF 16V K	1	
	C8711	QER61EM-106Z	E CAPACITOR	10uF 25V M	1	
	C9851	NCB31CK-104X	C CAPACITOR	0.1uF 16V K	1	
	R1002	NRSA63J-821X	MG RESISTOR	820Ω 1/16W J	1	
	R1003	NRSA63J-272X	MG RESISTOR	2.7kΩ 1/16W J	1	
	R1004	NRSA63J-272X	MG RESISTOR	2.7kΩ 1/16W J	1	
	R1005	NRSA63J-101X	MG RESISTOR	100Ω 1/16W J	1	
	R1200	QRJ143J-100X	UNF C RESISTOR	10Ω 1/4W J	1	
	R1201	NRSA63J-243X	MG RESISTOR	24kΩ 1/16W J	1	
	R1202	NRSA63J-102X	MG RESISTOR	1kΩ 1/16W J	1	
	R1302	NRSA63J-4R7X	MG RESISTOR	4.7Ω 1/16W J	1	
	R1800	NRSA63J-0R0X	MG RESISTOR	0Ω 1/10W J	1	
	R1900	NRSA63J-102X	MG RESISTOR	1kΩ 1/16W J	1	
	R2004	NRSA63J-102X	MG RESISTOR	1kΩ 1/16W J	1	
	R2005	NRSA63J-102X	MG RESISTOR	1kΩ 1/16W J	1	
	R2006	NRSA63J-102X	MG RESISTOR	1kΩ 1/16W J	1	
	R2008	NRSA63J-221X	MG RESISTOR	220Ω 1/16W J	1	
	R2011	NRSA63J-472X	MG RESISTOR	4.7kΩ 1/16W J	1	
	R2015	NRSA63J-102X	MG RESISTOR	1kΩ 1/16W J	1	
	R2021	NRSA63J-102X	MG RESISTOR	1kΩ 1/16W J	1	
	R2022	NRSA63J-102X	MG RESISTOR	1kΩ 1/16W J	1	
	R2023	NRSA63J-102X	MG RESISTOR	1kΩ 1/16W J	1	
	R2025	NRSA63J-102X	MG RESISTOR	1kΩ 1/16W J	1	
	R2026	NRSA63J-102X	MG RESISTOR	1kΩ 1/16W J	1	
	R2031	NRSA63J-102X	MG RESISTOR	1kΩ 1/16W J	1	
	R2032	NRSA63J-102X	MG RESISTOR	1kΩ 1/16W J	1	
	R2033	NRSA63J-102X	MG RESISTOR	1kΩ 1/16W J	1	
	R2035	NRSA63J-102X	MG RESISTOR	1kΩ 1/16W J	1	
	R2036	NRSA63J-102X	MG RESISTOR	1kΩ 1/16W J	1	
	R2040	NRSA63J-152X	MG RESISTOR	1.5kΩ 1/16W J	1	
	R2041	NRSA63J-681X	MG RESISTOR	680Ω 1/16W J	1	
	R2046	NRSA63J-102X	MG RESISTOR	1kΩ 1/16W J	1	
	R2048	NRSA63J-102X	MG RESISTOR	1kΩ 1/16W J	1	
	R2049	NRSA63J-102X	MG RESISTOR	1kΩ 1/16W J	1	
	R2050	NRSA63J-272X	MG RESISTOR	2.7kΩ 1/16W J	1	
	R2054	NRSA63J-102X	MG RESISTOR	1kΩ 1/16W J	1	
	R2055	NRSA63J-102X	MG RESISTOR	1kΩ 1/16W J	1	
	R2068	NRSA63J-102X	MG RESISTOR	1kΩ 1/16W J	1	
	R2072	NRSA63J-102X	MG RESISTOR	1kΩ 1/16W J	1	
	R2073	NRSA63J-102X	MG RESISTOR	1kΩ 1/16W J	1	
	R2074	NRSA63J-102X	MG RESISTOR	1kΩ 1/16W J	1	
	R2075	NRSA63J-221X	MG RESISTOR	220Ω 1/16W J	1	
	R2076	NRSA63J-221X	MG RESISTOR	220Ω 1/16W J	1	
	R2077	NRSA63J-221X	MG RESISTOR	220Ω 1/16W J	1	
	R2078	NRSA63J-221X	MG RESISTOR	220Ω 1/16W J	1	
	R2079	NRSA63J-102X	MG RESISTOR	1kΩ 1/16W J	1	
	R2081	NRSA63J-102X	MG RESISTOR	1kΩ 1/16W J	1	
	R2082	NRSA63J-221X	MG RESISTOR	220Ω 1/16W J	1	
	R2084	NRSA63J-221X	MG RESISTOR	220Ω 1/16W J	1	
	R2088	NRSA63J-102X	MG RESISTOR	1kΩ 1/16W J	1	
	R2094	NRSA63J-102X	MG RESISTOR	1kΩ 1/16W J	1	
	R2096	NRSA63J-303X	MG RESISTOR	30kΩ 1/16W J	1	
	R2099	NRSA63J-102X	MG RESISTOR	1kΩ 1/16W J	1	
	R2101	NRSA63J-102X	MG RESISTOR	1kΩ 1/16W J	1	
	R2119	NRSA63J-103X	MG RESISTOR	10kΩ 1/16W J	1	
	R2120	NRSA63J-103X	MG RESISTOR	10kΩ 1/16W J	1	
	R2126	NRSA63J-103X	MG RESISTOR	10kΩ 1/16W J	1	
	R2138	NRSA63J-103X	MG RESISTOR	10kΩ 1/16W J	1	
	R2149	NRSA63J-103X	MG RESISTOR	10kΩ 1/16W J	1	
	R2150	NRSA63J-103X	MG RESISTOR	10kΩ 1/16W J	1	
	R2155	NRSA63J-103X	MG RESISTOR	10kΩ 1/16W J	1	
	R2166	NRSA63J-103X	MG RESISTOR	10kΩ 1/16W J	1	
	R2167	NRSA63J-103X	MG RESISTOR	10kΩ 1/16W J	1	
	R2168	NRSA63J-103X	MG RESISTOR	10kΩ 1/16W J	1	
	R2179	NRSA63J-103X	MG RESISTOR	10kΩ 1/16W J	1	
	R2187	NRSA63J-103X	MG RESISTOR	10kΩ 1/16W J	1	
	R2192	NRSA63J-103X	MG RESISTOR	10kΩ 1/16W J	1	
	R2196	NRSA63J-103X	MG RESISTOR	10kΩ 1/16W J	1	
	R2197	NRSA63J-103X	MG RESISTOR	10kΩ 1/16W J	1	
	R2199	NRSA63J-103X	MG RESISTOR	10kΩ 1/16W J	1	
	R2200	NRSA63J-102X	MG RESISTOR	1kΩ 1/16W J	1	
	R2250	NRSA63J-821X	MG RESISTOR	820Ω 1/16W J	1	
	R2401	NRSA63J-221X	MG RESISTOR	220Ω 1/16W J	1	
	R2402	NRSA63J-152X	MG RESISTOR	1.5kΩ 1/16W J	1	
	R2403	NRSA63J-152X	MG RESISTOR	1.5kΩ 1/16W J	1	
	R2500	NRSA63J-470X	MG RESISTOR	47Ω 1/16W J	1	

MODEL	MARK	MODEL	MARK	MODEL	MARK
NX-D4B	A	NX-D4E	B	NX-D4A	C

Safe	Symbol No.	Parts No.	Parts Name	Description	QTY	Local
	R2600	NRSA63J-752X	MG RESISTOR	7.5kΩ 1/16W J	1	
	R2601	NRSA63J-123X	MG RESISTOR	12kΩ 1/16W J	1	
	R2610	NRSA63J-752X	MG RESISTOR	7.5kΩ 1/16W J	1	
	R2611	NRSA63J-123X	MG RESISTOR	12kΩ 1/16W J	1	
	R2700	NRSA63J-1R0X	MG RESISTOR	1Ω 1/16W J	1	
	R3000	NRSA63J-201X	MG RESISTOR	200Ω 1/16W J	1	
	R3001	NRSA63J-1R0X	MG RESISTOR	1Ω 1/16W J	1	
	R3002	NRSA63J-201X	MG RESISTOR	200Ω 1/16W J	1	
	R3004	NRSA63J-201X	MG RESISTOR	200Ω 1/16W J	1	
	R3006	NRSA63J-201X	MG RESISTOR	200Ω 1/16W J	1	
	R3008	NRSA63J-201X	MG RESISTOR	200Ω 1/16W J	1	
	R3010	NRSA63J-750X	MG RESISTOR	75Ω 1/16W J	1	
	R3011	NRSA63J-750X	MG RESISTOR	75Ω 1/16W J	1	
	R3012	NRSA63J-750X	MG RESISTOR	75Ω 1/16W J	1	
	R3013	NRSA63J-750X	MG RESISTOR	75Ω 1/16W J	1	
	R4210	NRSA63J-104X	MG RESISTOR	100kΩ 1/16W J	1	
	R4211	NRSA63J-104X	MG RESISTOR	100kΩ 1/16W J	1	
	R4251	NRSA63J-102X	MG RESISTOR	1kΩ 1/16W J	1	
	R4252	NRSA63J-102X	MG RESISTOR	1kΩ 1/16W J	1	
	R4253	NRSA63J-511X	MG RESISTOR	510Ω 1/16W J	1	
	R4254	NRSA63J-511X	MG RESISTOR	510Ω 1/16W J	1	
	R4255	NRSA63J-103X	MG RESISTOR	10kΩ 1/16W J	1	
	R4256	NRSA63J-0R0X	MG RESISTOR	0Ω 1/10W J	1	
	R4261	NRSA63J-102X	MG RESISTOR	1kΩ 1/16W J	1	
	R4262	NRSA63J-102X	MG RESISTOR	1kΩ 1/16W J	1	
	R4263	NRSA63J-511X	MG RESISTOR	510Ω 1/16W J	1	
	R4264	NRSA63J-511X	MG RESISTOR	510Ω 1/16W J	1	
	R4267	NRSA63J-103X	MG RESISTOR	10kΩ 1/16W J	1	
	R4269	NRSA63J-0R0X	MG RESISTOR	0Ω 1/10W J	1	
	R4271	NRSA63J-102X	MG RESISTOR	1kΩ 1/16W J	1	
	R4272	NRSA63J-102X	MG RESISTOR	1kΩ 1/16W J	1	
	R4273	NRSA63J-511X	MG RESISTOR	510Ω 1/16W J	1	
	R4274	NRSA63J-511X	MG RESISTOR	510Ω 1/16W J	1	
	R4275	NRSA63J-0R0X	MG RESISTOR	0Ω 1/10W J	1	
	R4300	NRSA63J-223X	MG RESISTOR	22kΩ 1/16W J	1	
	R4301	NRSA63J-223X	MG RESISTOR	22kΩ 1/16W J	1	
	R4302	NRSA63J-333X	MG RESISTOR	33kΩ 1/16W J	1	
	R4303	NRSA63J-333X	MG RESISTOR	33kΩ 1/16W J	1	
	R4400	NRSA63J-223X	MG RESISTOR	22kΩ 1/16W J	1	
	R4401	NRSA63J-223X	MG RESISTOR	22kΩ 1/16W J	1	
	R4402	NRSA63J-333X	MG RESISTOR	33kΩ 1/16W J	1	
	R4403	NRSA63J-333X	MG RESISTOR	33kΩ 1/16W J	1	
	R4500	NRSA63J-471X	MG RESISTOR	470Ω 1/16W J	1	
	R4501	NRSA63J-103X	MG RESISTOR	10kΩ 1/16W J	1	
	R4502	NRSA63J-103X	MG RESISTOR	10kΩ 1/16W J	1	
	R5000	QRJ143J-4R7X	UNF C RESISTOR	4.7Ω 1/4W J	1	
	R5010	NRSA63J-561X	MG RESISTOR	560Ω 1/16W J	1	
	R5020	NRSA63J-561X	MG RESISTOR	560Ω 1/16W J	1	
	R5101	NRSA63J-152X	MG RESISTOR	1.5kΩ 1/16W J	1	
	R5102	NRSA63J-752X	MG RESISTOR	7.5kΩ 1/16W J	1	
	R5111	NRSA63J-152X	MG RESISTOR	1.5kΩ 1/16W J	1	
	R5112	NRSA63J-752X	MG RESISTOR	7.5kΩ 1/16W J	1	
	R5200	NRSA63J-472X	MG RESISTOR	4.7kΩ 1/16W J	1	
	R5201	NRSA63J-222X	MG RESISTOR	2.2kΩ 1/16W J	1	
	R5202	NRSA63J-102X	MG RESISTOR	1kΩ 1/16W J	1	
	R5203	NRSA63J-222X	MG RESISTOR	2.2kΩ 1/16W J	1	
	R5204	NRSA63J-822X	MG RESISTOR	8.2kΩ 1/16W J	1	
	R5206	NRSA63J-101X	MG RESISTOR	100Ω 1/16W J	1	
	R5207	NRSA63J-101X	MG RESISTOR	100Ω 1/16W J	1	
	R5208	NRSA63J-105X	MG RESISTOR	1MΩ 1/16W J	1	
	R5209	NRSA63J-154X	MG RESISTOR	150kΩ 1/16W J	1	
	R5212	NRSA63J-153X	MG RESISTOR	15kΩ 1/16W J	1	
	R5213	NRSA63J-622X	MG RESISTOR	6.2KΩ 1/10W	1	
	R5214	NRSA63J-223X	MG RESISTOR	22kΩ 1/16W J	1	
	R5300	NRSA63J-472X	MG RESISTOR	4.7kΩ 1/16W J	1	
	R5301	NRSA63J-222X	MG RESISTOR	2.2kΩ 1/16W J	1	
	R5302	NRSA63J-102X	MG RESISTOR	1kΩ 1/16W J	1	
	R5303	NRSA63J-222X	MG RESISTOR	2.2kΩ 1/16W J	1	
	R5304	NRSA63J-822X	MG RESISTOR	8.2kΩ 1/16W J	1	
	R5306	NRSA63J-101X	MG RESISTOR	100Ω 1/16W J	1	
	R5307	NRSA63J-101X	MG RESISTOR	100Ω 1/16W J	1	
	R5308	NRSA63J-105X	MG RESISTOR	1MΩ 1/16W J	1	
	R5309	NRSA63J-154X	MG RESISTOR	150kΩ 1/16W J	1	
	R5312	NRSA63J-153X	MG RESISTOR	15kΩ 1/16W J	1	
	R5313	NRSA63J-622X	MG RESISTOR	6.2KΩ 1/10W	1	
	R5314	NRSA63J-223X	MG RESISTOR	22kΩ 1/16W J	1	
	R5400	NRSA63J-103X	MG RESISTOR	10kΩ 1/16W J	1	
	R5450	NRSA63J-563X	MG RESISTOR	56kΩ 1/16W J	1	
	R5451	NRSA63J-822X	MG RESISTOR	8.2kΩ 1/16W J	1	
	R5452	NRSA63J-123X	MG RESISTOR	12kΩ 1/16W J	1	
	R5453	NRSA63J-124X	MG RESISTOR	120kΩ 1/16W J	1	
	R5454	NRSA63J-0R0X	MG RESISTOR	0Ω 1/10W J	1	
	R5500	NRSA63J-222X	MG RESISTOR	2.2kΩ 1/16W J	1	
	R5501	NRSA63J-103X	MG RESISTOR	10kΩ 1/16W J	1	
	R5502	NRSA63J-220X	MG RESISTOR	22Ω 1/16W J	1	
	R5505	NRSA63J-472X	MG RESISTOR	4.7kΩ 1/16W J	1	
	R5510	NRSA63J-222X	MG RESISTOR	2.2kΩ 1/16W J	1	
	R5511	NRSA63J-103X	MG RESISTOR	10kΩ 1/16W J	1	
	R5512	NRSA63J-220X	MG RESISTOR	22Ω 1/16W J	1	
	R5515	NRSA63J-472X	MG RESISTOR	4.7kΩ 1/16W J	1	
	R5700	NRSA63J-123X	MG RESISTOR	12kΩ 1/16W J	1	
	R5701	NRSA63J-684X	MG RESISTOR	680kΩ 1/16W J	1	

MODEL	MARK	MODEL	MARK	MODEL	MARK
NX-D4B	A	NX-D4E	B	NX-D4A	C

Safe	Symbol No.	Parts No.	Parts Name	Description	QTY	Local
	R5702	NRSA63J-0R0X	MG RESISTOR	0Ω 1/10W J	1	
	R5704	NRSA63J-103X	MG RESISTOR	10kΩ 1/16W J	1	
	R5705	NRSA63J-220X	MG RESISTOR	22Ω 1/16W J	1	
	R5706	NRSA63J-153X	MG RESISTOR	15kΩ 1/16W J	1	
	R6001	NRSA63J-562X	MG RESISTOR	5.6kΩ 1/16W J	1	
	R6002	NRSA63J-562X	MG RESISTOR	5.6kΩ 1/16W J	1	
	R6003	NRS124J-100X	MG RESISTOR	10Ω 1/2W J	1	
	R6028	QRL01DJ-220X	OMF RESISTOR	22Ω 1W J	1	
	R6098	NRSA63J-101X	MG RESISTOR	100Ω 1/16W J	1	
	R6100	NRSA63J-100X	MG RESISTOR	10Ω 1/16W J	1	
	R6101	NRSA63J-562X	MG RESISTOR	5.6kΩ 1/16W J	1	
	R6102	NRSA63J-562X	MG RESISTOR	5.6kΩ 1/16W J	1	
	R6103	NRS124J-100X	MG RESISTOR	10Ω 1/2W J	1	
	R6128	QRL01DJ-220X	OMF RESISTOR	22Ω 1W J	1	
	R6203	NRS124J-100X	MG RESISTOR	10Ω 1/2W J	1	
	R6204	NRS124J-100X	MG RESISTOR	10Ω 1/2W J	1	
	R6205	QRL01DJ-121X	OMF RESISTOR	120Ω 1W J	1	
	R6206	QRL01DJ-121X	OMF RESISTOR	120Ω 1W J	1	
	R6207	QRZ9005-220X	FUSI RESISTOR	22Ω	1	
	R6212	QRL01DJ-152X	OMF RESISTOR	1.5kΩ 1W J	1	
	R6213	QRL01DJ-152X	OMF RESISTOR	1.5kΩ 1W J	1	
	R6215	QRL01DJ-100X	OMF RESISTOR	10Ω 1W J	1	
	R6216	QRL01DJ-100X	OMF RESISTOR	10Ω 1W J	1	
	R6217	QRL01DJ-100X	OMF RESISTOR	10Ω 1W J	1	
	R6218	QRL01DJ-100X	OMF RESISTOR	10Ω 1W J	1	
	R6219	QRL01DJ-100X	OMF RESISTOR	10Ω 1W J	1	
	R6220	QRL01DJ-100X	OMF RESISTOR	10Ω 1W J	1	
	R6223	NRSA63J-472X	MG RESISTOR	4.7kΩ 1/16W J	1	
	R6224	NRSA63J-152X	MG RESISTOR	1.5kΩ 1/16W J	1	
	R6500	NRSA63J-103X	MG RESISTOR	10kΩ 1/16W J	1	
	R6501	NRSA63J-220X	MG RESISTOR	22Ω 1/16W J	1	
	R6502	NRSA63J-105X	MG RESISTOR	1MΩ 1/16W J	1	
	R6503	NRSA63J-105X	MG RESISTOR	1MΩ 1/16W J	1	
	R6504	NRSA63J-105X	MG RESISTOR	1MΩ 1/16W J	1	
	R6505	NRSA63J-101X	MG RESISTOR	100Ω 1/16W J	1	
	R6506	NRSA63J-152X	MG RESISTOR	1.5kΩ 1/16W J	1	
	R6507	NRSA63J-152X	MG RESISTOR	1.5kΩ 1/16W J	1	
	R6701	NRSA63J-104X	MG RESISTOR	100kΩ 1/16W J	1	
	R6702	NRSA63J-104X	MG RESISTOR	100kΩ 1/16W J	1	
	R6705	NRSA63J-102X	MG RESISTOR	1kΩ 1/16W J	1	
	R6706	NRSA63J-104X	MG RESISTOR	100kΩ 1/16W J	1	
	R6805	NRSA63J-393X	MG RESISTOR	39kΩ 1/16W J	1	
	R6806	NRSA63J-393X	MG RESISTOR	39kΩ 1/16W J	1	
	R6809	NRSA63J-123X	MG RESISTOR	12kΩ 1/16W J	1	
	R6901	NRSA63J-393X	MG RESISTOR	39kΩ 1/16W J	1	
	R6902	NRSA63J-393X	MG RESISTOR	39kΩ 1/16W J	1	
	R8000	NRSA63J-472X	MG RESISTOR	4.7kΩ 1/16W J	1	
	R8001	NRSA63J-472X	MG RESISTOR	4.7kΩ 1/16W J	1	
	R8002	NRSA63J-0R0X	MG RESISTOR	0Ω 1/10W J	1	
	R8003	NRSA63J-153X	MG RESISTOR	15kΩ 1/16W J	1	
	R8004	NRSA63J-103X	MG RESISTOR	10kΩ 1/16W J	1	
	R8005	NRSA63J-225X	MG RESISTOR	2.2MΩ 1/16W J	1	
	R8006	NRSA63J-103X	MG RESISTOR	10kΩ 1/16W J	1	
	R8007	NRSA63J-104X	MG RESISTOR	100kΩ 1/16W J	1	
	R8008	NRSA63J-472X	MG RESISTOR	4.7kΩ 1/16W J	1	
	R8009	NRSA63J-472X	MG RESISTOR	4.7kΩ 1/16W J	1	
	R8010	NRSA63J-104X	MG RESISTOR	100kΩ 1/16W J	1	
	R8011	NRSA63J-104X	MG RESISTOR	100kΩ 1/16W J	1	
	R8012	NRSA63J-513X	MG RESISTOR	51kΩ 1/16W J	1	
	R8013	NRSA63J-243X	MG RESISTOR	24kΩ 1/16W J	1	
	R8014	NRSA63J-472X	MG RESISTOR	4.7kΩ 1/16W J	1	
	R8015	NRSA63J-153X	MG RESISTOR	15kΩ 1/16W J	1	
	R8016	NRSA63J-153X	MG RESISTOR	15kΩ 1/16W J	1	
	R8017	NRSA63J-153X	MG RESISTOR	15kΩ 1/16W J	1	
	R8018	NRSA63J-303X	MG RESISTOR	30kΩ 1/16W J	1	
	R8019	NRSA63J-303X	MG RESISTOR	30kΩ 1/16W J	1	
	R8020	NRSA63J-153X	MG RESISTOR	15kΩ 1/16W J	1	
	R8021	NRSA63J-153X	MG RESISTOR	15kΩ 1/16W J	1	
	R8022	NRSA63J-153X	MG RESISTOR	15kΩ 1/16W J	1	
	R8023	NRSA63J-103X	MG RESISTOR	10kΩ 1/16W J	1	
	R8024	NRSA63J-913X	MG RESISTOR	91kΩ 1/16W J	1	
	R8025	NRSA63J-103X	MG RESISTOR	10kΩ 1/16W J	1	
	R8030	NRSA63J-473X	MG RESISTOR	47kΩ 1/16W J	1	
	R8300	NRSA63J-103X	MG RESISTOR	10kΩ 1/16W J	1	
	R8301	NRSA63J-103X	MG RESISTOR	10kΩ 1/16W J	1	
	R8403	NRSA63J-184X	MG RESISTOR	180kΩ 1/16W J	1	
	R8404	NRSA63J-184X	MG RESISTOR	180kΩ 1/16W J	1	
	R8451	NRSA63J-472X	MG RESISTOR	4.7kΩ 1/16W J	1	
	R8452	NRSA63J-472X	MG RESISTOR	4.7kΩ 1/16W J	1	
	R8801	NRSA63J-751X	MG RESISTOR	750Ω 1/16W J	1	
	R8802	NRSA63J-202X	MG RESISTOR	2kΩ 1/16W J	1	
	R8803	NRSA63J-272X	MG RESISTOR	2.7kΩ 1/16W J	1	
	R8804	NRSA63J-432X	MG RESISTOR	4.3kΩ 1/16W J	1	
	R8805	NRSA63J-822X	MG RESISTOR	8.2kΩ 1/16W J	1	
	R8806	NRSA63J-183X	MG RESISTOR	18kΩ 1/16W J	1	
	R8900	NRSA63J-182X	MG RESISTOR	1.8kΩ 1/16W J	1	
	R8950	NRSA63J-681X	MG RESISTOR	680Ω 1/16W J	1	
	L3000	QQL25CK-221Z	COIL	220uH K	1	
	L4000	QQL94AL-470	COIL	47uH L	1	
	L6001	QQR1820-001	CHOKE COIL		1	
	L6070	QQR1838-001	CHOKE COIL		1	
	L6071	QQR1838-001	CHOKE COIL		1	
	L6101	QQR1820-001	CHOKE COIL		1	

MODEL	MARK	MODEL	MARK	MODEL	MARK
NX-D4B	A	NX-D4E	B	NX-D4A	C

Safe	Symbol No.	Parts No.	Parts Name	Description	QTY	Local
	L6200	QQL94AL-470	COIL	47uH L	1	
	L6502	QQL244K-220Z	P COIL	22uH K	1	
	T1001	QQS0445-001	SW TRANSF		1	
	CN180	QGA2536C1-06	CONNECTOR	W-B (1-6)	1	
	CN181	QGD2504C1-04Z	CONNECTOR	(1-4)	1	
	CN301	QGF1036C2-09	CONNECTOR	FFC/FPC (1-9)	1	
	CN302	QGF1208C1-06	CONNECTOR	FFC/FPC (1-6)	1	
	CN303	QGA2501C1-03	CONNECTOR	W-B (1-3)	1	
	CN304	QGF1208C1-11	CONNECTOR	FFC/FPC (1-11)	1	
	CN306	QGF1208C1-15	CONNECTOR	FFC/FPC (1-15)	1	A,B
	CN306	QGF1208C1-11	CONNECTOR	FFC/FPC (1-11)	1	C
	CN307	QGF1036C2-05	CONNECTOR	FFC/FPC (1-5)	1	
	CN309	QGF1036C2-05	CONNECTOR	FFC/FPC (1-5)	1	
	CN310	QGF1036C2-25	CONNECTOR	FFC/FPC (1-25)	1	
	CN312	QGF1208C1-13	CONNECTOR	FFC/FPC (1-13)	1	
	CN315	QGD2504C1-05Z	CONNECTOR	(1-5)	1	
	CN400	QGF1036C2-27	CONNECTOR	FFC/FPC (1-27)	1	
	CN401	QGA2001C1-09	CONNECTOR	W-B (1-9)	1	
	CN500	QGF1036C2-05	CONNECTOR	FFC/FPC (1-5)	1	
	CN502	QGF1208C1-07	CONNECTOR	FFC/FPC (1-7)	1	
	CN503	QGF1208C1-15	CONNECTOR	FFC/FPC (1-15)	1	
	CN600	QGF1208F1-15	CONNECTOR	FFC/FPC (1-15)	1	
	CN601	QGA3901C1-04	CONNECTOR	W-B (1-4)	1	
	CN800	QGF1208F1-11	CONNECTOR	FFC/FPC (1-11)	1	
	CN840	QGF1208F1-07	CONNECTOR	FFC/FPC (1-7)	1	
	CN850	QGF1208F1-13	CONNECTOR	FFC/FPC (1-13)	1	
	CP120	ICP-N10-T	IC PROTECTOR	400mA	1	
△	CP620	ICP-N50-T	IC PROTECTOR	2.0A	1	
	FL870	QLF0199-002	FL TUBE		1	
	FW315	QUM025-11DGZ4-E	PARA RIBON WIRE		1	
	FW601	QUM024-14DGZ4-E	PARA RIBON WIRE		1	
△	HS100	LV40057-001A	HEAT SINK		1	
	J3000	QNN0841-001	PIN JACK		1	
	J6100	QNB0314-001	SPK TERMINAL		1	
	J8000	QNS0292-001	6.3 JACK		1	
	J8001	QNS0292-001	6.3 JACK		1	
	J8300	QNZ1029-001	USB CONNECTOR		1	
	J8400	QNS0289-001	3.5 JACK		1	
	J8401	QNS0289-001	3.5 JACK		1	
	K2000	NQR0502-001X	FERRITE BEADS		1	
	K2001	NQR0502-001X	FERRITE BEADS		1	
	K2075	NQR0022-003X	FERRITE BEADS		1	
	K2076	NQR0022-003X	FERRITE BEADS		1	
	K2077	NQR0022-003X	FERRITE BEADS		1	
	K2078	NQR0022-003X	FERRITE BEADS		1	
	K6201	QQR0621-001Z	FERRITE BEADS		1	
	K6202	QQR0621-001Z	FERRITE BEADS		1	
	K6501	QQR0621-001Z	FERRITE BEADS		1	
	K6502	NQR0502-001X	FERRITE BEADS		1	
	K8001	NQR0502-001X	FERRITE BEADS		1	
	K8003	QQR0621-001Z	FERRITE BEADS		1	
	K8300	NQR0502-001X	FERRITE BEADS		1	
	K8301	NQR0502-001X	FERRITE BEADS		1	
	K8304	NQR0502-001X	FERRITE BEADS		1	
	K8320	NQR0502-001X	FERRITE BEADS		1	
	K8400	NQR0022-003X	FERRITE BEADS		1	A,B
	K8400	NRSA63J-0R0X	MG RESISTOR	0Ω 1/10W J	1	C
	K8401	NQR0022-003X	FERRITE BEADS		1	A,B
	K8401	NRSA63J-0R0X	MG RESISTOR	0Ω 1/10W J	1	C
	K8402	NQR0502-001X	FERRITE BEADS		1	
	K8450	NQR0502-001X	FERRITE BEADS		1	
	K8451	NRSA63J-0R0X	MG RESISTOR	0Ω 1/10W J	1	
	K8452	NRSA63J-0R0X	MG RESISTOR	0Ω 1/10W J	1	
	PP280	QNZ0104-001	POST PIN		1	
	RY620	QSK0194-001	RELAY		1	
	RY621	QSK0194-001	RELAY		1	
	S8801	QSW1120-001Z	PUSH SWITCH		1	
	S8802	QSW1120-001Z	PUSH SWITCH		1	
	S8803	QSW1120-001Z	PUSH SWITCH		1	
	S8804	QSW1120-001Z	PUSH SWITCH		1	
	S8805	QSW1120-001Z	PUSH SWITCH		1	
	S8806	QSW1120-001Z	PUSH SWITCH		1	
	WC100	QZW0112-001	WIRE CLAMP		1	
	WC101	QZW0112-001	WIRE CLAMP		1	
	X2000	QAX0711-002Z	CRYSTAL	8.000000MHz	1	
	X6501	QAX0937-001	CRYSTAL		1	
	X6502	QAX0936-001	CRYSTAL		1	
	Touch board <02>					
	IC901	PIC16F724TIPT-W	IC		1	
	IC902	KTC801U/G/-X	TRANSISTOR		1	
	IC920	KTC801U/G/-X	TRANSISTOR		1	
	IC921	KTC801U/G/-X	TRANSISTOR		1	
	Q9201	KRC110S-X	DIGI TRANSISTOR		1	
	D9001	NESW020C-X	E CAPACITOR		1	
	D9002	NESW020C-X	E CAPACITOR		1	
	D9003	NESW020C-X	E CAPACITOR		1	
	D9004	NESW020C-X	E CAPACITOR		1	
	D9005	NESW020C-X	E CAPACITOR		1	
	D9006	NESW020C-X	E CAPACITOR		1	
	D9007	NESW020C-X	E CAPACITOR		1	
	D9008	NESW020C-X	E CAPACITOR		1	
	D9009	NESW020C-X	E CAPACITOR		1	

MODEL	MARK	MODEL	MARK	MODEL	MARK
NX-D4B	A	NX-D4E	B	NX-D4A	C

Safe	Symbol No.	Parts No.	Parts Name	Description	QTY	Local
	D9010	NESW020C-X	E CAPACITOR		1	
	D9011	NESW020C-X	E CAPACITOR		1	
	D9012	NESW020C-X	E CAPACITOR		1	
	D9200	SMLA12BC7/MNP-X	LED		1	
	D9201	SMLA12BC7/MNP-X	LED		1	
	D9202	SMLA12BC7/MNP-X	LED		1	
	D9203	SMLA12BC7/MNP-X	LED		1	
	D9204	SMLA12BC7/MNP-X	LED		1	
	D9205	SMLA12BC7/MNP-X	LED		1	
	D9206	SMLA12BC7/MNP-X	LED		1	
	D9207	SMLA12BC7/MNP-X	LED		1	
	C9001	NCB31CK-105X	C CAPACITOR	1uF 16V K	1	
	C9002	NCB31CK-105X	C CAPACITOR	1uF 16V K	1	
	C9003	NCB31CK-105X	C CAPACITOR	1uF 16V K	1	
	R9001	NRSA63J-181X	MG RESISTOR	180Ω 1/16W J	1	
	R9002	NRSA63J-181X	MG RESISTOR	180Ω 1/16W J	1	
	R9003	NRSA63J-181X	MG RESISTOR	180Ω 1/16W J	1	
	R9004	NRSA63J-181X	MG RESISTOR	180Ω 1/16W J	1	
	R9005	NRSA63J-181X	MG RESISTOR	180Ω 1/16W J	1	
	R9006	NRSA63J-221X	MG RESISTOR	220Ω 1/16W J	1	
	R9007	NRSA63J-221X	MG RESISTOR	220Ω 1/16W J	1	
	R9008	NRSA63J-221X	MG RESISTOR	220Ω 1/16W J	1	
	R9009	NRSA63J-181X	MG RESISTOR	180Ω 1/16W J	1	
	R9101	NRSA63J-102X	MG RESISTOR	1kΩ 1/16W J	1	
	R9102	NRSA63J-103X	MG RESISTOR	10kΩ 1/16W J	1	
	R9103	NRSA63J-102X	MG RESISTOR	1kΩ 1/16W J	1	
	R9104	NRSA63J-103X	MG RESISTOR	10kΩ 1/16W J	1	
	R9105	NRSA63J-103X	MG RESISTOR	10kΩ 1/16W J	1	
	R9106	NRSA63J-101X	MG RESISTOR	100Ω 1/16W J	1	
	R9110	NRSA63J-102X	MG RESISTOR	1kΩ 1/16W J	1	
	R9111	NRSA63J-102X	MG RESISTOR	1kΩ 1/16W J	1	
	R9200	NRSA63J-102X	MG RESISTOR	1kΩ 1/16W J	1	
	R9203	NRSA63J-181X	MG RESISTOR	180Ω 1/16W J	1	
	R9204	NRSA63J-181X	MG RESISTOR	180Ω 1/16W J	1	
	R9205	NRSA63J-181X	MG RESISTOR	180Ω 1/16W J	1	
	R9206	NRSA63J-181X	MG RESISTOR	180Ω 1/16W J	1	
	R9208	NRSA63J-102X	MG RESISTOR	1kΩ 1/16W J	1	
	R9210	NRSA63J-102X	MG RESISTOR	1kΩ 1/16W J	1	
	R9212	NRSA63J-102X	MG RESISTOR	1kΩ 1/16W J	1	
	R9216	NRSA63J-102X	MG RESISTOR	1kΩ 1/16W J	1	
	R9217	NRSA63J-102X	MG RESISTOR	1kΩ 1/16W J	1	
	R9218	NRSA63J-102X	MG RESISTOR	1kΩ 1/16W J	1	
	R9219	NRSA63J-102X	MG RESISTOR	1kΩ 1/16W J	1	
	R9500	NRSA63J-0R0X	MG RESISTOR	0Ω 1/10W J	1	
	R9501	NRSA63J-0R0X	MG RESISTOR	0Ω 1/10W J	1	
	R9502	NRSA63J-0R0X	MG RESISTOR	0Ω 1/10W J	1	
	R9503	NRSA63J-0R0X	MG RESISTOR	0Ω 1/10W J	1	
	R9504	NRSA63J-0R0X	MG RESISTOR	0Ω 1/10W J	1	
	R9505	NRSA63J-0R0X	MG RESISTOR	0Ω 1/10W J	1	
	R9506	NRSA63J-0R0X	MG RESISTOR	0Ω 1/10W J	1	
	R9507	NRSA63J-0R0X	MG RESISTOR	0Ω 1/10W J	1	
	R9508	NRSA63J-0R0X	MG RESISTOR	0Ω 1/10W J	1	
	R9509	NRSA63J-0R0X	MG RESISTOR	0Ω 1/10W J	1	
	R9510	NRSA63J-0R0X	MG RESISTOR	0Ω 1/10W J	1	
	R9511	NRSA63J-0R0X	MG RESISTOR	0Ω 1/10W J	1	
	R9512	NRSA63J-0R0X	MG RESISTOR	0Ω 1/10W J	1	
	R9513	NRSA63J-0R0X	MG RESISTOR	0Ω 1/10W J	1	
	R9514	NRSA63J-0R0X	MG RESISTOR	0Ω 1/10W J	1	
	R9515	NRSA63J-0R0X	MG RESISTOR	0Ω 1/10W J	1	
	CN900	QGF1016C6-09W	CONNECTOR	FFC/FPC (1-9)	1	
	CN901	QGF1016C6-07W	CONNECTOR	FFC/FPC (1-7)	1	
	CN920	QGF1016C6-07W	CONNECTOR	FFC/FPC (1-7)	1	
	K9101	NRSA63J-0R0X	MG RESISTOR	0Ω 1/10W J	1	
	K9102	NRSA63J-0R0X	MG RESISTOR	0Ω 1/10W J	1	
	K9103	NRSA63J-0R0X	MG RESISTOR	0Ω 1/10W J	1	
	K9104	NRSA63J-0R0X	MG RESISTOR	0Ω 1/10W J	1	
iPod board <03>						
	IC970	MFI341S2161-X	IC		1	
	IC971	MM1732XV-X	IC		1	
	IC972	TC4066BFT-X	IC(DIGITAL)		1	
	IC973	MM1665AH-X	IC		1	
	IC974	MM1665AH-X	IC		1	
	Q7801	KRA102S-X	DIGI TRANSISTOR		1	
	Q7802	KRC102S-X	DIGI TRANSISTOR		1	
	Q7803	RSR025P03-X	MOS FET		1	
	Q7804	RSR025P03-X	MOS FET		1	
	Q9731	KRC102S-X	DIGI TRANSISTOR		1	
	Q9741	KRC102S-X	DIGI TRANSISTOR		1	
	D7801	NRSA02J-0R0X	MG RESISTOR	0Ω 1/10W J	1	
	C7801	NCB31HK-103X	C CAPACITOR	0.01uF 50V K	1	
	C9701	NCB31CK-105X	C CAPACITOR	1uF 16V K	1	
	C9711	NCB31CK-105X	C CAPACITOR	1uF 16V K	1	
	C9712	NCB31CK-105X	C CAPACITOR	1uF 16V K	1	
	C9713	NCB31CK-105X	C CAPACITOR	1uF 16V K	1	
	C9714	NCB31CK-105X	C CAPACITOR	1uF 16V K	1	
	C9721	NCB31CK-105X	C CAPACITOR	1uF 16V K	1	
	C9722	NCB31CK-105X	C CAPACITOR	1uF 16V K	1	
	C9723	NCB31CK-105X	C CAPACITOR	1uF 16V K	1	
	C9731	NCB31CK-105X	C CAPACITOR	1uF 16V K	1	
	C9732	NCB31CK-105X	C CAPACITOR	1uF 16V K	1	
	C9741	NCB31CK-105X	C CAPACITOR	1uF 16V K	1	
	C9742	NCB31CK-105X	C CAPACITOR	1uF 16V K	1	

MODEL	MARK	MODEL	MARK	MODEL	MARK
NX-D4B	A	NX-D4E	B	NX-D4A	C

Safe	Symbol No.	Parts No.	Parts Name	Description	QTY	Local
	C9751	NCB31CK-105X	C CAPACITOR	1uF 16V K	1	
	C9752	NCB31CK-105X	C CAPACITOR	1uF 16V K	1	
	C9754	NCB31HK-471X	C CAPACITOR	470pF 50V K	1	
	C9761	NCB31CK-105X	C CAPACITOR	1uF 16V K	1	
	C9762	NCB31CK-105X	C CAPACITOR	1uF 16V K	1	
	C9764	NCB31HK-471X	C CAPACITOR	470pF 50V K	1	
	C9800	NCB31CK-104X	C CAPACITOR	0.1uF 16V K	1	
	C9801	NCB31CK-104X	C CAPACITOR	0.1uF 16V K	1	
	C9802	NDC31HJ-101X	C CAPACITOR	100pF 50V J	1	
	C9803	NDC31HJ-101X	C CAPACITOR	100pF 50V J	1	
	C9804	NDC31HJ-101X	C CAPACITOR	100pF 50V J	1	
	C9900	NCB31CK-104X	C CAPACITOR	0.1uF 16V K	1	
	C9901	NCB31CK-104X	C CAPACITOR	0.1uF 16V K	1	
	C9902	NDC31HJ-101X	C CAPACITOR	100pF 50V J	1	
	C9903	NDC31HJ-101X	C CAPACITOR	100pF 50V J	1	
	C9904	NDC31HJ-101X	C CAPACITOR	100pF 50V J	1	
	R7801	NRSA63J-273X	MG RESISTOR	27kΩ 1/16W J	1	
	R9703	NRSA63J-103X	MG RESISTOR	10kΩ 1/16W J	1	
	R9704	NRSA63J-103X	MG RESISTOR	10kΩ 1/16W J	1	
	R9705	NRSA63J-103X	MG RESISTOR	10kΩ 1/16W J	1	
	R9706	NRSA63J-0R0X	MG RESISTOR	0Ω 1/10W J	1	
	R9730	NRSA63J-102X	MG RESISTOR	1kΩ 1/16W J	1	
	R9731	NRSA63J-223X	MG RESISTOR	22kΩ 1/16W J	1	
	R9741	NRSA63J-103X	MG RESISTOR	10kΩ 1/16W J	1	
	R9801	NRSA63J-513X	MG RESISTOR	51kΩ 1/16W J	1	
	R9802	NRSA63J-513X	MG RESISTOR	51kΩ 1/16W J	1	
	R9803	NRSA63J-753X	MG RESISTOR	75kΩ 1/16W J	1	
	R9804	NRSA63J-753X	MG RESISTOR	75kΩ 1/16W J	1	
	R9805	NRSA63F-5493X	MG RESISTOR	549kΩ 1/16W F	1	
	R9806	NRSA63J-103X	MG RESISTOR	10kΩ 1/16W J	1	
	R9901	NRSA63J-513X	MG RESISTOR	51kΩ 1/16W J	1	
	R9902	NRSA63J-513X	MG RESISTOR	51kΩ 1/16W J	1	
	R9903	NRSA63J-753X	MG RESISTOR	75kΩ 1/16W J	1	
	R9904	NRSA63J-753X	MG RESISTOR	75kΩ 1/16W J	1	
	R9905	NRSA63F-5493X	MG RESISTOR	549kΩ 1/16W F	1	
	R9906	NRSA63J-103X	MG RESISTOR	10kΩ 1/16W J	1	
	CN781	QGA2001F6-02X	CONNECTOR	W-B (1-2)	1	
	CN970	QGF1016F8-27W	CONNECTOR	FFC/FPC (1-27)	1	
	CN980	NNZ0186-001	I POD CONNECTOR		1	
	CN990	NNZ0186-001	I POD CONNECTOR		1	
	K9700	NQR0502-002X	FERRITE BEADS		1	
	K9701	NQR0502-002X	FERRITE BEADS		1	
	K9801	NQR0502-001X	FERRITE BEADS		1	
	K9808	NQR0502-001X	FERRITE BEADS		1	
	K9813	NQR0022-001X	FERRITE BEADS		1	
	K9818	NQR0022-001X	FERRITE BEADS		1	
	K9819	NQR0022-001X	FERRITE BEADS		1	
	K9820	NQR0502-002X	FERRITE BEADS		1	
	K9821	NRSA63J-0R0X	MG RESISTOR	0Ω 1/10W J	1	
	K9822	NRSA63J-0R0X	MG RESISTOR	0Ω 1/10W J	1	
	K9823	NRSA63J-0R0X	MG RESISTOR	0Ω 1/10W J	1	
	K9824	NQR0502-001X	FERRITE BEADS		1	
	K9825	NQR0502-001X	FERRITE BEADS		1	
	K9827	NQR0022-001X	FERRITE BEADS		1	
	K9828	NQR0022-001X	FERRITE BEADS		1	
	K9830	NQR0022-001X	FERRITE BEADS		1	
	K9901	NQR0502-001X	FERRITE BEADS		1	
	K9908	NQR0502-001X	FERRITE BEADS		1	
	K9913	NQR0022-001X	FERRITE BEADS		1	
	K9918	NQR0022-001X	FERRITE BEADS		1	
	K9919	NQR0022-001X	FERRITE BEADS		1	
	K9921	NRSA63J-0R0X	MG RESISTOR	0Ω 1/10W J	1	
	K9922	NRSA63J-0R0X	MG RESISTOR	0Ω 1/10W J	1	
	K9923	NRSA63J-0R0X	MG RESISTOR	0Ω 1/10W J	1	
	K9927	NQR0022-001X	FERRITE BEADS		1	
	K9928	NQR0022-001X	FERRITE BEADS		1	
	K9930	NQR0022-001X	FERRITE BEADS		1	
FMU-MB6-71M DVD module board <04>						
	IC201	LA6502-X	IC		1	A,B,C
	IC301	MN2DS0018MA	IC		1	A,B,C
	IC302	MM1701CH-X	IC		1	A,B,C
	IC303	XC2164A51FM-X	IC		1	A,B,C
	IC305	MM3233DF-X	IC		1	A,B,C
	IC453	S-80830CNNB-G-W	IC		1	A,B,C
	IC505	or K4S641632N-LC75	IC(DIGITAL)		1	A,B,C
	IC509	NXD4-B79	IC(DIGITAL)		1	A,B,C
	IC510	S-24CS16A0I-G-X	IC		1	A,B,C
	IC701	AK4387ET-X	IC		1	A,B,C
	IC705	MM1615AN-X	IC		1	A,B,C
	IC801	MM1565AF-X	IC		1	A,B,C
	Q101	KTA1001/Y/-X	TRANSISTOR		1	A,B,C
	Q101	or 2SA1363/EF/-X	TRANSISTOR		1	A,B,C
	Q102	2SC5383/E/-X	TRANSISTOR		1	A,B,C
	Q102	or 2SC4617/R/-X	TRANSISTOR		1	A,B,C
	Q103	KTA1001/Y/-X	TRANSISTOR		1	A,B,C
	Q103	or 2SA1363/EF/-X	TRANSISTOR		1	A,B,C
	Q104	2SC5383/E/-X	TRANSISTOR		1	A,B,C
	Q104	or 2SC4617/R/-X	TRANSISTOR		1	A,B,C
	Q801	RT1P441C-X	DIGI TRANSISTOR		1	A,B,C
	Q801	or KRA104S-X	DIGI TRANSISTOR		1	A,B,C
	C101	NCB31CK-104X	C CAPACITOR	0.1uF 16V K	1	A,B,C
	C102	NCB31CK-104X	C CAPACITOR	0.1uF 16V K	1	A,B,C

MODEL	MARK	MODEL	MARK	MODEL	MARK
NX-D4B	A	NX-D4E	B	NX-D4A	C

Safe	Symbol No.	Parts No.	Parts Name	Description	QTY	Local
	C103	NCB31CK-104X	C CAPACITOR	0.1uF 16V K	1	A,B,C
	C104	NCB31CK-104X	C CAPACITOR	0.1uF 16V K	1	A,B,C
	C105	NEAF0JM-476X	E CAPACITOR	47uF 6.3V M	1	A,B,C
	C106	NBE20JM-226X	TA E CAPACITOR	22uF 6.3V M	1	A,B,C
	C107	NCB31CK-104X	C CAPACITOR	0.1uF 16V K	1	A,B,C
	C108	NBE20JM-226X	TA E CAPACITOR	22uF 6.3V M	1	A,B,C
	C109	NCB20JK-475X	C CAPACITOR	4.7uF 6.3V K	1	A,B,C
	C201	NDC31HJ-221X	C CAPACITOR	220pF 50V J	1	A,B,C
	C202	NDC31HJ-221X	C CAPACITOR	220pF 50V J	1	A,B,C
	C203	NCB31HK-103X	C CAPACITOR	0.01uF 50V K	1	A,B,C
	C204	NCB31CK-104X	C CAPACITOR	0.1uF 16V K	1	A,B,C
	C205	NDC31HJ-271X	C CAPACITOR	270pF 50V J	1	A,B,C
	C206	NDC31HJ-151X	C CAPACITOR	150pF 50V J	1	A,B,C
	C210	NCB31CK-105X	C CAPACITOR	1uF 16V K	1	A,B,C
	C211	NCB31HK-223X	C CAPACITOR	0.022uF 50V K	1	A,B,C
	C217	NCB31CK-104X	C CAPACITOR	0.1uF 16V K	1	A,B,C
	C251	NCB31AK-474X	C CAPACITOR	0.47uF 10V K	1	A,B,C
	C256	NCB31CK-104X	C CAPACITOR	0.1uF 16V K	1	A,B,C
	C257	NCB31HK-822X	C CAPACITOR	8200pF 50V K	1	A,B,C
	C258	NCB31HK-153X	C CAPACITOR	0.015uF 50V K	1	A,B,C
	C259	NCB31HK-153X	C CAPACITOR	0.015uF 50V K	1	A,B,C
	C260	NCB31HK-223X	C CAPACITOR	0.022uF 50V K	1	A,B,C
	C261	NCB31HK-223X	C CAPACITOR	0.022uF 50V K	1	A,B,C
	C262	NCB31HK-223X	C CAPACITOR	0.022uF 50V K	1	A,B,C
	C263	NEAF1CM-107X	E CAPACITOR	100uF 16V M	1	A,B,C
	C301	NEAF0JM-227X	E CAPACITOR	220uF 6.3V M	1	A,B,C
	C302	NEAF0GM-476X	E CAPACITOR	47uF 4V M	1	A,B,C
	C303	NEAF0GM-476X	E CAPACITOR	47uF 4V M	1	A,B,C
	C304	NCB31CK-105X	C CAPACITOR	1uF 16V K	1	A,B,C
	C305	NCB31CK-104X	C CAPACITOR	0.1uF 16V K	1	A,B,C
	C306	NCB31CK-104X	C CAPACITOR	0.1uF 16V K	1	A,B,C
	C307	NCB31CK-104X	C CAPACITOR	0.1uF 16V K	1	A,B,C
	C309	NCB31CK-104X	C CAPACITOR	0.1uF 16V K	1	A,B,C
	C310	NCB31CK-104X	C CAPACITOR	0.1uF 16V K	1	A,B,C
	C312	NCB31CK-104X	C CAPACITOR	0.1uF 16V K	1	A,B,C
	C313	NCB31CK-104X	C CAPACITOR	0.1uF 16V K	1	A,B,C
	C314	NCB31CK-104X	C CAPACITOR	0.1uF 16V K	1	A,B,C
	C315	NCB31CK-104X	C CAPACITOR	0.1uF 16V K	1	A,B,C
	C316	NCB31CK-104X	C CAPACITOR	0.1uF 16V K	1	A,B,C
	C318	NCB31CK-104X	C CAPACITOR	0.1uF 16V K	1	A,B,C
	C319	NCB31CK-104X	C CAPACITOR	0.1uF 16V K	1	A,B,C
	C320	NCB31CK-104X	C CAPACITOR	0.1uF 16V K	1	A,B,C
	C321	NCB31CK-104X	C CAPACITOR	0.1uF 16V K	1	A,B,C
	C322	NCB31CK-104X	C CAPACITOR	0.1uF 16V K	1	A,B,C
	C323	NCB31CK-104X	C CAPACITOR	0.1uF 16V K	1	A,B,C
	C324	NCB31CK-105X	C CAPACITOR	1uF 16V K	1	A,B,C
	C325	NDC31HJ-120X	C CAPACITOR	12pF 50V J	1	A,B,C
	C326	NDC31HJ-100X	C CAPACITOR	10pF 50V J	1	A,B,C
	C328	NCB31HK-103X	C CAPACITOR	0.01uF 50V K	1	A,B,C
	C330	NCB31CK-104X	C CAPACITOR	0.1uF 16V K	1	A,B,C
	C331	NCB31HK-333X	C CAPACITOR	0.033uF 50V K	1	A,B,C
	C332	NCB31CK-104X	C CAPACITOR	0.1uF 16V K	1	A,B,C
	C333	NCB31CK-104X	C CAPACITOR	0.1uF 16V K	1	A,B,C
	C334	NCB31CK-104X	C CAPACITOR	0.1uF 16V K	1	A,B,C
	C335	NCB31CK-104X	C CAPACITOR	0.1uF 16V K	1	A,B,C
	C337	NCB31HK-183X	C CAPACITOR	0.018uF 50V K	1	A,B,C
	C338	NCB31HK-562X	C CAPACITOR	5600pF 50V K	1	A,B,C
	C339	NBE20JM-106X	TA E CAPACITOR	10uF 6.3V M	1	A,B,C
	C340	NCB31CK-105X	C CAPACITOR	1uF 16V K	1	A,B,C
	C341	NCB31CK-105X	C CAPACITOR	1uF 16V K	1	A,B,C
	C345	NCB31CK-104X	C CAPACITOR	0.1uF 16V K	1	A,B,C
	C347	NCB31CK-104X	C CAPACITOR	0.1uF 16V K	1	A,B,C
	C348	NCB31CK-104X	C CAPACITOR	0.1uF 16V K	1	A,B,C
	C349	NCB31CK-104X	C CAPACITOR	0.1uF 16V K	1	A,B,C
	C350	NCB31HK-222X	C CAPACITOR	2200pF 50V K	1	A,B,C
	C351	NCB31HK-103X	C CAPACITOR	0.01uF 50V K	1	A,B,C
	C352	NCB31HK-153X	C CAPACITOR	0.015uF 50V K	1	A,B,C
	C353	NCB31HK-561X	C CAPACITOR	560pF 50V K	1	A,B,C
	C354	NCB31HK-561X	C CAPACITOR	560pF 50V K	1	A,B,C
	C356	NCB31CK-105X	C CAPACITOR	1uF 16V K	1	A,B,C
	C359	NCB31CK-105X	C CAPACITOR	1uF 16V K	1	A,B,C
	C370	NCB31CK-104X	C CAPACITOR	0.1uF 16V K	1	A,B,C
	C371	NCB31CK-105X	C CAPACITOR	1uF 16V K	1	A,B,C
	C372	NCB31CK-104X	C CAPACITOR	0.1uF 16V K	1	A,B,C
	C373	NCB31CK-104X	C CAPACITOR	0.1uF 16V K	1	A,B,C
	C374	NCB31CK-104X	C CAPACITOR	0.1uF 16V K	1	A,B,C
	C375	NCB31CK-104X	C CAPACITOR	0.1uF 16V K	1	A,B,C
	C378	NCB31CK-104X	C CAPACITOR	0.1uF 16V K	1	A,B,C
	C379	NCB31CK-104X	C CAPACITOR	0.1uF 16V K	1	A,B,C
	C380	NCB21CK-105X	C CAPACITOR	1uF 16V K	1	A,B,C
	C381	NCB21AK-225X	C CAPACITOR	2.2uF 10V K	1	A,B,C
	C383	NCB31CK-104X	C CAPACITOR	0.1uF 16V K	1	A,B,C
	C391	NEAF0JM-227X	E CAPACITOR	220uF 6.3V M	1	A,B,C
	C392	NCB31CK-104X	C CAPACITOR	0.1uF 16V K	1	A,B,C
	C393	NCB31HK-103X	C CAPACITOR	0.01uF 50V K	1	A,B,C
	C455	NCB31HK-103X	C CAPACITOR	0.01uF 50V K	1	A,B,C
	C551	NCB31CK-104X	C CAPACITOR	0.1uF 16V K	1	A,B,C
	C554	NCB31CK-104X	C CAPACITOR	0.1uF 16V K	1	A,B,C
	C555	NCB31CK-104X	C CAPACITOR	0.1uF 16V K	1	A,B,C
	C557	NCB31HK-102X	C CAPACITOR	1000pF 50V K	1	A,B,C
	C558	NBE20JM-226X	TA E CAPACITOR	22uF 6.3V M	1	A,B,C
	C559	NCB31CK-104X	C CAPACITOR	0.1uF 16V K	1	A,B,C
	C560	NCB31CK-104X	C CAPACITOR	0.1uF 16V K	1	A,B,C

MODEL	MARK	MODEL	MARK	MODEL	MARK
NX-D4B	A	NX-D4E	B	NX-D4A	C

Safe	Symbol No.	Parts No.	Parts Name	Description	QTY	Local
	C562	NCB31CK-105X	C CAPACITOR	1uF 16V K	1	A,B,C
	C563	NCB31CK-104X	C CAPACITOR	0.1uF 16V K	1	A,B,C
	C564	NCB31CK-104X	C CAPACITOR	0.1uF 16V K	1	A,B,C
	C701	NCB31CK-104X	C CAPACITOR	0.1uF 16V K	1	A,B,C
	C704	NEAF0JM-476X	E CAPACITOR	47uF 6.3V M	1	A,B,C
	C706	NEAF1CM-106X	E CAPACITOR	10uF 16V M	1	A,B,C
	C707	NCB31CK-104X	C CAPACITOR	0.1uF 16V K	1	A,B,C
	C711	NCB21CK-105X	C CAPACITOR	1uF 16V K	1	A,B,C
	C712	NCB31HK-103X	C CAPACITOR	0.01uF 50V K	1	A,B,C
	C713	NCB21CK-105X	C CAPACITOR	1uF 16V K	1	A,B,C
	C740	NCB31CK-104X	C CAPACITOR	0.1uF 16V K	1	A,B,C
	C801	NCB21CK-105X	C CAPACITOR	1uF 16V K	1	A,B,C
	C802	NCB21AK-225X	C CAPACITOR	2.2uF 10V K	1	A,B,C
	C803	NEAF0JM-227X	E CAPACITOR	220uF 6.3V M	1	A,B,C
	C804	NCB31HK-471X	C CAPACITOR	470pF 50V K	1	A,B,C
	R101	NRSA63J-101X	MG RESISTOR	100Ω 1/16W J	1	A,B,C
	R102	NRSA63J-101X	MG RESISTOR	100Ω 1/16W J	1	A,B,C
	R103	NRSA63J-562X	MG RESISTOR	5.6kΩ 1/16W J	1	A,B,C
	R104	NRSA63J-432X	MG RESISTOR	4.3kΩ 1/16W J	1	A,B,C
	R105	NRS124J-180X	MG RESISTOR	18Ω 1/2W J	1	A,B,C
	R106	NRSA63J-2R2X	MG RESISTOR	2.2Ω 1/16W J	1	A,B,C
	R107	NRSA63J-102X	MG RESISTOR	1kΩ 1/16W J	1	A,B,C
	R108	NRSA63J-471X	MG RESISTOR	470Ω 1/16W J	1	A,B,C
	R109	NRSA63J-331X	MG RESISTOR	330Ω 1/16W J	1	A,B,C
	R111	NRSA63J-562X	MG RESISTOR	5.6kΩ 1/16W J	1	A,B,C
	R112	NRSA63J-432X	MG RESISTOR	4.3kΩ 1/16W J	1	A,B,C
	R113	NRS124J-180X	MG RESISTOR	18Ω 1/2W J	1	A,B,C
	R114	NRSA63J-2R2X	MG RESISTOR	2.2Ω 1/16W J	1	A,B,C
	R115	NRSA63J-102X	MG RESISTOR	1kΩ 1/16W J	1	A,B,C
	R116	NRSA63J-471X	MG RESISTOR	470Ω 1/16W J	1	A,B,C
	R117	NRSA63J-331X	MG RESISTOR	330Ω 1/16W J	1	A,B,C
	R125	NRSA63J-1R0X	MG RESISTOR	1Ω 1/16W J	1	A,B,C
	R127	NRSA63J-432X	MG RESISTOR	4.3kΩ 1/16W J	1	A,B,C
	R128	NRSA63J-562X	MG RESISTOR	5.6kΩ 1/16W J	1	A,B,C
	R131	NRSA63J-4R7X	MG RESISTOR	4.7Ω 1/16W J	1	A,B,C
	R201	NRSA63J-471X	MG RESISTOR	470Ω 1/16W J	1	A,B,C
	R202	NRSA63J-102X	MG RESISTOR	1kΩ 1/16W J	1	A,B,C
	R204	NRSA63J-273X	MG RESISTOR	27kΩ 1/16W J	1	A,B,C
	R205	NRSA63J-273X	MG RESISTOR	27kΩ 1/16W J	1	A,B,C
	R206	NRSA63J-303X	MG RESISTOR	30kΩ 1/16W J	1	A,B,C
	R207	NRSA63J-473X	MG RESISTOR	47kΩ 1/16W J	1	A,B,C
	R213	NRSA63J-103X	MG RESISTOR	10kΩ 1/16W J	1	A,B,C
	R214	NRSA63J-103X	MG RESISTOR	10kΩ 1/16W J	1	A,B,C
	R219	NRSA63J-183X	MG RESISTOR	18kΩ 1/16W J	1	A,B,C
	R220	NRSA63J-243X	MG RESISTOR	24kΩ 1/16W J	1	A,B,C
	R221	NRSA63J-682X	MG RESISTOR	6.8kΩ 1/16W J	1	A,B,C
	R251	NRS125J-R39X	MG RESISTOR	0.39Ω 1/2W J	1	A,B,C
	R259	NRSA63J-103X	MG RESISTOR	10kΩ 1/16W J	1	A,B,C
	R290	NRSA63J-0R0X	MG RESISTOR	0Ω 1/10W J	1	A,B,C
	R291	NRSA63J-0R0X	MG RESISTOR	0Ω 1/10W J	1	A,B,C
	R303	NRSA63J-220X	MG RESISTOR	22Ω 1/16W J	1	A,B,C
	R304	NRSA63J-432X	MG RESISTOR	4.3kΩ 1/16W J	1	A,B,C
	R306	NRSA63J-102X	MG RESISTOR	1kΩ 1/16W J	1	A,B,C
	R307	NRSA63J-102X	MG RESISTOR	1kΩ 1/16W J	1	A,B,C
	R309	NRSA63J-104X	MG RESISTOR	100kΩ 1/16W J	1	A,B,C
	R310	NRSA63J-101X	MG RESISTOR	100Ω 1/16W J	1	A,B,C
	R311	NRSA63J-331X	MG RESISTOR	330Ω 1/16W J	1	A,B,C
	R314	NRSA63J-0R0X	MG RESISTOR	0Ω 1/10W J	1	A,B,C
	R316	NRSA63J-102X	MG RESISTOR	1kΩ 1/16W J	1	A,B,C
	R317	NRSA63J-0R0X	MG RESISTOR	0Ω 1/10W J	1	A,B,C
	R318	NRSA63J-220X	MG RESISTOR	22Ω 1/16W J	1	A,B,C
	R323	NRSA63J-331X	MG RESISTOR	330Ω 1/16W J	1	A,B,C
	R324	NRSA63J-331X	MG RESISTOR	330Ω 1/16W J	1	A,B,C
	R325	NRSA63J-331X	MG RESISTOR	330Ω 1/16W J	1	A,B,C
	R326	NRSA63J-103X	MG RESISTOR	10kΩ 1/16W J	1	A,B,C
	R333	NRSA63J-331X	MG RESISTOR	330Ω 1/16W J	1	A,B,C
	R334	NRSA63J-151X	MG RESISTOR	150Ω 1/16W J	1	A,B,C
	R335	NRSA63J-151X	MG RESISTOR	150Ω 1/16W J	1	A,B,C
	R336	NRSA63J-151X	MG RESISTOR	150Ω 1/16W J	1	A,B,C
	R337	NRSA63J-151X	MG RESISTOR	150Ω 1/16W J	1	A,B,C
	R338	NRSA63J-0R0X	MG RESISTOR	0Ω 1/10W J	1	A,B,C
	R339	NRSA63J-0R0X	MG RESISTOR	0Ω 1/10W J	1	A,B,C
	R340	NRSA63D-303X	MG RESISTOR	30kΩ 1/16W D	1	A,B,C
	R341	NRSA63D-512X	MG RESISTOR	5.1kΩ 1/16W D	1	A,B,C
	R342	NRSA63D-222X	MG RESISTOR	2.2kΩ 1/16W D	1	A,B,C
	R345	NRSA63J-221X	MG RESISTOR	220Ω 1/16W J	1	A,B,C
	R346	NRSA63J-223X	MG RESISTOR	22kΩ 1/16W J	1	A,B,C
	R347	NRSA63J-203X	MG RESISTOR	20kΩ 1/16W J	1	A,B,C
	R348	NRSA63J-151X	MG RESISTOR	150Ω 1/16W J	1	A,B,C
	R351	NRSA63J-331X	MG RESISTOR	330Ω 1/16W J	1	A,B,C
	R352	NRSA63J-105X	MG RESISTOR	1MΩ 1/16W J	1	A,B,C
	R353	NRSA63J-101X	MG RESISTOR	100Ω 1/16W J	1	A,B,C
	R357	NRSA63J-221X	MG RESISTOR	220Ω 1/16W J	1	A,B,C
	R358	NRSA63J-221X	MG RESISTOR	220Ω 1/16W J	1	A,B,C
	R361	NRSA63J-103X	MG RESISTOR	10kΩ 1/16W J	1	A,B,C
	R362	NRSA63J-470X	MG RESISTOR	47Ω 1/16W J	1	A,B,C
	R367	NRSA63J-221X	MG RESISTOR	220Ω 1/16W J	1	A,B,C
	R371	NRSA63J-103X	MG RESISTOR	10kΩ 1/16W J	1	A,B,C
	R372	NRSA63J-103X	MG RESISTOR	10kΩ 1/16W J	1	A,B,C
	R373	NRSA63J-103X	MG RESISTOR	10kΩ 1/16W J	1	A,B,C
	R375	NRSA63J-471X	MG RESISTOR	470Ω 1/16W J	1	A,B,C
	R376	NRSA63J-102X	MG RESISTOR	1kΩ 1/16W J	1	A,B,C

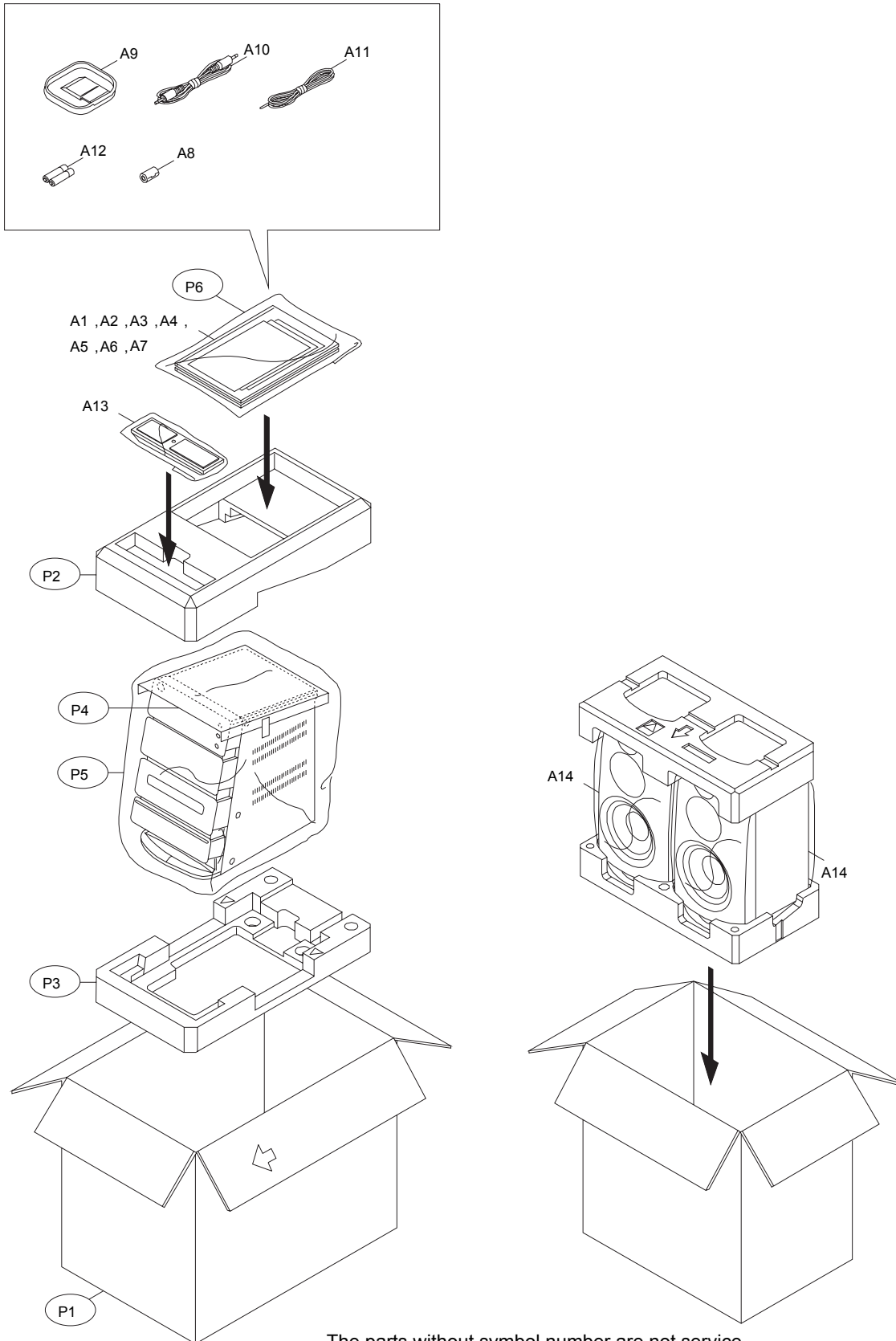
MODEL	MARK	MODEL	MARK	MODEL	MARK
NX-D4B	A	NX-D4E	B	NX-D4A	C

Safe	Symbol No.	Parts No.	Parts Name	Description	QTY	Local
	R383	NRSA63J-101X	MG RESISTOR	100Ω 1/16W J	1	A,B,C
	R384	NRSA63J-102X	MG RESISTOR	1kΩ 1/16W J	1	A,B,C
	R385	NRSA63J-102X	MG RESISTOR	1kΩ 1/16W J	1	A,B,C
	R392	NRSA63J-103X	MG RESISTOR	10kΩ 1/16W J	1	A,B,C
	R458	NRSA63J-102X	MG RESISTOR	1kΩ 1/16W J	1	A,B,C
	R531	NRSA63J-103X	MG RESISTOR	10kΩ 1/16W J	1	A,B,C
	R535	NRSA63J-473X	MG RESISTOR	47kΩ 1/16W J	1	A,B,C
	R541	NRSA63J-472X	MG RESISTOR	4.7kΩ 1/16W J	1	A,B,C
	R701	NRSA63J-2R2X	MG RESISTOR	2.2Ω 1/16W J	1	A,B,C
	R704	NRSA63J-0R0X	MG RESISTOR	0Ω 1/10W J	1	A,B,C
	R705	NRSA63J-0R0X	MG RESISTOR	0Ω 1/10W J	1	A,B,C
	R718	NRSA63J-473X	MG RESISTOR	47kΩ 1/16W J	1	A,B,C
	R721	NRSA63J-471X	MG RESISTOR	470Ω 1/16W J	1	A,B,C
	R722	NRSA63J-0R0X	MG RESISTOR	0Ω 1/10W J	1	A,B,C
	R723	NRSA63J-471X	MG RESISTOR	470Ω 1/16W J	1	A,B,C
	R730	NRSA63J-331X	MG RESISTOR	330Ω 1/16W J	1	A,B,C
	R731	NRSA63J-102X	MG RESISTOR	1kΩ 1/16W J	1	A,B,C
	R732	NRSA63J-102X	MG RESISTOR	1kΩ 1/16W J	1	A,B,C
	R811	NRS181J-330X	MG RESISTOR	33Ω 1/8W J	1	A,B,C
	R812	NRS181J-330X	MG RESISTOR	33Ω 1/8W J	1	A,B,C
	R813	NRSA63J-153X	MG RESISTOR	15kΩ 1/16W J	1	A,B,C
	R814	NRSA63J-153X	MG RESISTOR	15kΩ 1/16W J	1	A,B,C
	R819	NRSA63J-0R0X	MG RESISTOR	0Ω 1/10W J	1	A,B,C
	R859	NRSA63J-102X	MG RESISTOR	1kΩ 1/16W J	1	A,B,C
	R860	NRSA63J-102X	MG RESISTOR	1kΩ 1/16W J	1	A,B,C
	R861	NRSA63J-473X	MG RESISTOR	47kΩ 1/16W J	1	A,B,C
	CN101	QGF0523F3-24W	CONNECTOR	FFC/FPC (1-24)	1	A,B,C
	CN201	QGF1016F8-08W	CONNECTOR	FFC/FPC (1-8)	1	A,B,C
	CN701	QGF1016F8-25W	CONNECTOR	FFC/FPC (1-25)	1	A,B,C
	CN712	QGF1016F8-05W	CONNECTOR	FFC/FPC (1-5)	1	A,B,C
	CN801	QGF1016F8-05W	CONNECTOR	FFC/FPC (1-5)	1	A,B,C
	CN811	QGA2001F6-05X	CONNECTOR	W-B (1-5)	1	A,B,C
	K101	NQR0502-001X	FERRITE BEADS		1	A,B,C
	K351	NQR0502-001X	FERRITE BEADS		1	A,B,C
	K352	NQR0502-001X	FERRITE BEADS		1	A,B,C
	K353	NQR0502-001X	FERRITE BEADS		1	A,B,C
	K354	NQR0022-002X	FERRITE BEADS		1	A,B,C
	K501	NQR0502-001X	FERRITE BEADS		1	A,B,C
	K701	NQR0022-002X	FERRITE BEADS		1	A,B,C
	K702	NQR0022-002X	FERRITE BEADS		1	A,B,C
	K703	NQR0022-002X	FERRITE BEADS		1	A,B,C
	K704	NQR0022-002X	FERRITE BEADS		1	A,B,C
	K705	NQR0022-002X	FERRITE BEADS		1	A,B,C
	K706	NQR0022-005X	FERRITE BEADS		1	A,B,C
	K707	NQR0022-002X	FERRITE BEADS		1	A,B,C
	K708	NQR0022-002X	FERRITE BEADS		1	A,B,C
	K709	NQR0022-002X	FERRITE BEADS		1	A,B,C
	K710	NQR0022-002X	FERRITE BEADS		1	A,B,C
	K711	NQR0022-002X	FERRITE BEADS		1	A,B,C
	K720	NQR0022-002X	FERRITE BEADS		1	A,B,C
	K721	NRSA63J-0R0X	MG RESISTOR	0Ω 1/10W J	1	A,B,C
	K722	NRSA63J-0R0X	MG RESISTOR	0Ω 1/10W J	1	A,B,C
	K811	NRSA63J-0R0X	MG RESISTOR	0Ω 1/10W J	1	A,B,C
	K812	NRSA63J-0R0X	MG RESISTOR	0Ω 1/10W J	1	A,B,C
	TH301	NAD0025-103X	N THERMISTOR	10kΩ	1	A,B,C
	X301	NAX0741-001X	CRYSTAL	27.000MHz	1	A,B,C
	X302	NAX0376-002X	CRYSTAL		1	A,B,C
FMU-MB6-71M DVD loading switch board <05>						
	CN1	QGF1036F2-05	CONNECTOR	FFC/FPC (1-5)	1	A,B,C
	CN1	or QGF1040F1-05	CONNECTOR	FFC/FPC (1-5)	1	A,B,C
	S1	QSW1074-002	DETECT SWITCH		1	A,B,C

Packing materials and accessories

Block No.M3MM

No additional / supplemental order of WARRANTY CARDS are available.



The parts without symbol number are not service.

MODEL	MARK	MODEL	MARK	MODEL	MARK
NX-D4B	A	NX-D4E	B	NX-D4A	C

Safe	Symbol No.	Parts No.	Parts Name	Description	QTY	Local
------	------------	-----------	------------	-------------	-----	-------

Packing and accessories <M3MM>

A1	GVT0277-001B	INST BOOK	ENG		1	A
A1	GVT0277-002A	INST BOOK	GER FRE DUT ITA		1	B
A1	GVT0277-006B	INST BOOK	ENG		1	C
A2	GVT0277-011A	INST BOOK	ENG		1	A
A2	GVT0277-016B	INST BOOK	ENG		1	C
A3	-----	WARRANTY CARD	BT-54039-1		1	A,B
A3	-----	WARRANTY CARD	BT-56017-1		1	C
A4	-----	WARRANTY CARD	BT-56016-1		1	C
A5	VNA3000-204	REGIST CARD			1	A
A6	GVT0312-001A	DEMO SHEET			1	A,B
A6	GVT0286-001A	DEMO SHEET			1	C
A7	GVT0287-001A	CORE INFO SHEET			1	
A8	QQR1836-001	FERRITE CORE			1	
A9	QAL1123-001	LOOP ANTENNA			1	
A10	QAM0944-001	PIN CABLE			1	
A11	QAL1236-001	ANTENNA			1	
A12	-----	BATTERY			2	
A13	RM-SNXD4R	REMOCON UNIT			1	A,B
A13	RM-SNXD4A	REMOCON UNIT			1	C
A14	SPNXD3-SPBOX	SPK WITH BOX			2	
P1	GV31288-003A	CARTON			1	
P2	GV10465-001A	CUSHION TOP			1	
P3	GV10467-001A	CUSHION BOTTOM			1	
P4	GV40900-001A	CLOTH 2			1	
P5	QPC07507530PB	POLY BAG	65cm x 70cm		1	
P6	QPC02503515PB	POLY BAG	25cm x 35cm		1	